

Plugs, plastic with felt glide surface for round and square tubes

Item description/product images



Description

Material:

Body polyethylene.
Glide face synthetic needle felt.

Version:

Body black.

Note:

The felt surface enables gentle and quiet gliding or sliding.

The lamellar are closed or interrupted. For technical production reasons, cast residues may exceed the shaft length.

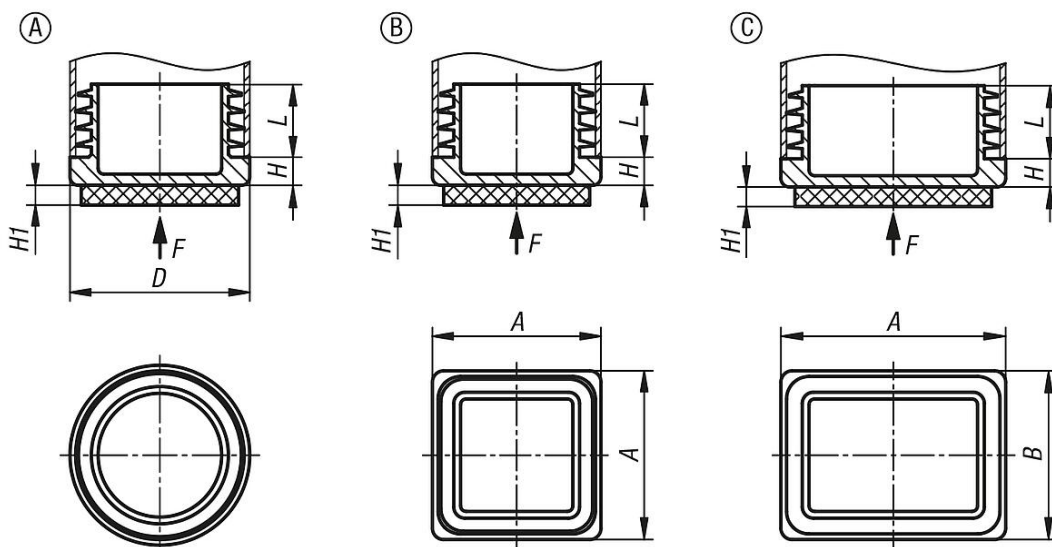
Application:

The plugs are used in steel pipes, tube covers or aluminium base frames in industry, trade and households. Especially suitable to avoid scratches on sensitive and hard floors such as stone or laminate.

Assembly:

They can be pushed in by hand or tapped in with a plastic hammer.

Drawings



Overview of items

Plugs, plastic with felt glide surface for round and square tubes

Order No.	Version 2	Form	Form definition	A	B	D	H	H1	L	Suitable for
K2036.00120820	for round tubes	A	round	-	-	12	3,5	3,5	10	Ø12x0.8-2
K2036.00130820	for round tubes	A	round	-	-	13	4	3,5	11,5	Ø13x0.8-2
K2036.00140820	for round tubes	A	round	-	-	14	5	3,5	10,5	Ø14x0.8-2
K2036.00150820	for round tubes	A	round	-	-	15	3	3,5	11,5	Ø15x0.8-2
K2036.00160820	for round tubes	A	round	-	-	16	5	3,5	11,5	Ø16x0.8-2
K2036.00180825	for round tubes	A	round	-	-	18	5	3,5	11,5	Ø18x0,8-2,5

Plugs, plastic with felt glide surface for round and square tubes

Overview of items

Order No.	Version 2	Form	Form definition	A	B	D	H	H1	L	Suitable for
K2036.00190825	for round tubes	A	round	-	-	19	5	3,5	11,5	Ø19x0.8-2.5
K2036.00200825	for round tubes	A	round	-	-	20	5	3,5	11,5	Ø20x0.8-2,5
K2036.00220830	for round tubes	A	round	-	-	22	5	3,5	11,5	Ø22x0.8-3
K2036.00230830	for round tubes	A	round	-	-	23	5	3,5	11,5	Ø23x0.8-3
K2036.00251030	for round tubes	A	round	-	-	25	5	3,5	11,5	Ø25x1-3
K2036.00260830	for round tubes	A	round	-	-	26	5	3,5	11,5	Ø26x0.8-3
K2036.00280825	for round tubes	A	round	-	-	28	5	3,5	11,5	Ø28x0.8-2.5
K2036.00300825	for round tubes	A	round	-	-	30	5	3,5	11,5	Ø30x0.8-2,5
K2036.00320830	for round tubes	A	round	-	-	32	5	3,5	11,5	Ø32x0.8-3
K2036.00351030	for round tubes	A	round	-	-	35	5	3,5	11,5	Ø35x1-3
K2036.00401030	for round tubes	A	round	-	-	40	5	3,5	11,5	Ø40x1-3
K2036.00420825	for round tubes	A	round	-	-	42	5	3,5	11,5	Ø42x0.8-2.5
K2036.13130520	for square tubing	B	square	13	-	-	4	3,5	11,5	13x13x0,5-2
K2036.15150820	for square tubing	B	square	15	-	-	3	3,5	11,5	15x15x0,8-2
K2036.16160820	for square tubing	B	square	16	-	-	5	3,5	11,5	16x16x0,8-2
K2036.18181530	for square tubing	B	square	18	-	-	5	3,5	11,5	18x18x1,5-3
K2036.20200830	for square tubing	B	square	20	-	-	5	3,5	11,5	20 x 20 x 0,8-3
K2036.22220830	for square tubing	B	square	22	-	-	5	3,5	11,5	22x22x0,8-3
K2036.25251030	for square tubing	B	square	25	-	-	5	3,5	11,5	25 x 25 x 1-3
K2036.30301025	for square tubing	B	square	30	-	-	5	3,5	11,5	30 x 30 x 1-2,5
K2036.20151020	-	C	rectangular	20	15	-	5	3,5	11,5	20x15x1-2
K2036.25201030	-	C	rectangular	25	20	-	5	3,5	11,5	25x20x1-3
K2036.30100820	-	C	rectangular	30	10	-	3	3,5	11,5	30x10x0,8-2
K2036.30150825	-	C	rectangular	30	15	-	5	3,5	11,5	30x15x0,8-2,5
K2036.35100820	-	C	rectangular	35	10	-	5	3,5	11,5	35x10x0,8-2
K2036.35151030	-	C	rectangular	35	15	-	5	3,5	11,5	35x15x1-3
K2036.40101520	-	C	rectangular	40	10	-	5	3,5	11	40x10x1,5-2
K2036.40151020	-	C	rectangular	40	15	-	5	3,5	11,7	40x15x1-2
K2036.40301030	-	C	rectangular	40	30	-	5	3,5	11,5	40x30x1-3