

Adjustment plugs, plastic with felt glide surface for round and square tubes

Item description/product images



Description

Material:

Body polyamide.

Glide face synthetic needle felt.

Version:

Body black.

Note:

There should be no load on the feet when adjusting.

The specified axial, static load capacity refers to a screw protruding 10 mm and lying fully flat.

The adjustment plugs are not suitable as load gliders and are not intended for dynamic loads.

The lamellar form of the nut can be closed or interrupted.

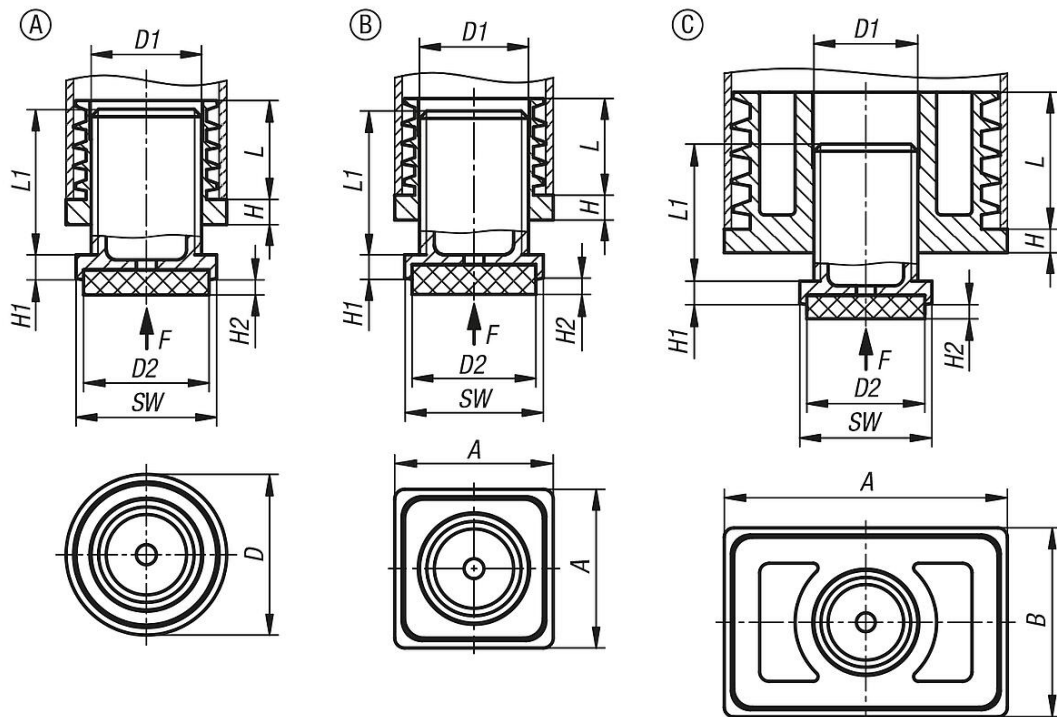
Application:

The adjustment plugs are used in steel pipes, tube covers or aluminium base frames in industry, trade and households. Especially suitable to avoid scratches on sensitive and hard floors such as stone or laminate.

Assembly:

They can be pushed in by hand or tapped in with a plastic hammer.

Drawings



Overview of items

Adjustment plugs, plastic with felt glide surface for round and square tubes

Overview of items

Adjustment plugs, plastic with felt glide surface for round and square tubes

Order No.	Version 2	Form	Form definition	A	B	D	D1	D2	H	H1	H2	L	L1	SW	Load rating max. kN (static load only)	Suitable for
K2035.0030101529	for round tubes	A	round	-	-	30	M22	25	5	5	3	19,7	29	28	3	Ø30x1-1,5
K2035.0030101560	for round tubes	A	round	-	-	30	M22	25	5	5	3	19,7	60	28	3	Ø30x1-1,5
K2035.0030152029	for round tubes	A	round	-	-	30	M22	25	5	5	3	27	29	28	2,5	Ø30x1,5-2
K2035.0032152029	for round tubes	A	round	-	-	32	M22	25	5	5	3	19,7	29	28	3	Ø32x1,5-2
K2035.0032152060	for round tubes	A	round	-	-	32	M22	25	5	5	3	19,7	60	28	3	Ø32x1,5-2
K2035.0035202529	for round tubes	A	round	-	-	35	M22	25	5	5	3	29,3	29	28	3	Ø35x2-2,5
K2035.0035202560	for round tubes	A	round	-	-	35	M22	25	5	5	3	29,3	60	28	3	Ø35x2-2,5
K2035.0035152029	for round tubes	A	round	-	-	35	M22	25	5	5	3	29,3	29	28	3	Ø35x1,5-2
K2035.0035152060	for round tubes	A	round	-	-	35	M22	25	5	5	3	29,3	60	28	3	Ø35x1,5-2
K2035.0038152029	for round tubes	A	round	-	-	38	M22	25	5	5	3	29,3	29	28	3	Ø38x1,5-2
K2035.0038152060	for round tubes	A	round	-	-	38	M22	25	5	5	3	29,3	60	28	3	Ø38x1,5-2
K2035.0040202529	for round tubes	A	round	-	-	40	M22	25	5	5	3	29,3	29	28	3	Ø40x2-2,5
K2035.0040202560	for round tubes	A	round	-	-	40	M22	25	5	5	3	29,3	60	28	3	Ø40x2-2,5
K2035.0040152029	for round tubes	A	round	-	-	40	M22	25	5	5	3	29,3	29	28	3	Ø40x1,5-2
K2035.0040152060	for round tubes	A	round	-	-	40	M22	25	5	5	3	29,3	60	28	3	Ø40x1,5-2
K2035.0045152031	for round tubes	A	round	-	-	45	M30	25	5	5	3	29,3	31	41	3	Ø45x1,5-2
K2035.0050152031	for round tubes	A	round	-	-	50	M30	25	5	5	3	29,3	31	41	3	Ø50x1,5-2
K2035.3030101529	for square tubing	B	square	30	-	-	M22	25	5	5	3	19,5	29	28	3	30x30x1-1,5
K2035.3030101560	for square tubing	B	square	30	-	-	M22	25	5	5	3	19,5	60	28	3	30x30x1-1,5
K2035.3030152029	for square tubing	B	square	30	-	-	M22	25	5	5	3	19,5	29	28	3	30x30x1,5-2
K2035.3030152060	for square tubing	B	square	30	-	-	M22	25	5	5	3	19,5	60	28	3	30x30x1,5-2
K2035.3535152029	for square tubing	B	square	35	-	-	M22	25	5	5	3	29,3	29	28	3	35x35x1,5-2
K2035.3535152060	for square tubing	B	square	35	-	-	M22	25	5	5	3	29,3	60	28	3	35x35x1,5-2
K2035.3535202529	for square tubing	B	square	35	-	-	M22	25	5	5	3	29,3	29	28	3	35x35x2-2,5
K2035.3535202560	for square tubing	B	square	35	-	-	M22	25	5	5	3	29,3	60	28	3	35x35x2-2,5
K2035.4040152029	for square tubing	B	square	40	-	-	M22	25	5	5	3	29,3	29	28	3	40x40x1,5-2
K2035.4040152060	for square tubing	B	square	40	-	-	M22	25	5	5	3	29,3	60	28	3	40x40x1,5-2
K2035.4040202529	for square tubing	B	square	40	-	-	M22	25	5	5	3	29,3	29	28	3	40x40x2-2,5
K2035.4040202560	for square tubing	B	square	40	-	-	M22	25	5	5	3	29,3	60	28	3	40x40x2-2,5
K2035.4545152029	for square tubing	B	square	45	-	-	M22	25	5	5	3	29,3	29	28	3	45x45x1,5-2
K2035.5050152031	for square tubing	B	square	50	-	-	M30	25	5	5	3	29,3	31	41	3	50x50x1,5-2
K2035.6040152029	-	C	rectangular	60	40	-	M22	25	5	5	3	29	29	28	4	60x40x1,5-2
K2035.6040152060	-	C	rectangular	60	40	-	M22	25	5	5	3	29	60	28	4	60x40x1,5-2