

# Adjustment plugs, plastic with non-slip inserts for round and square tubes

Item description/product images



## Description

### Material:

Body polyamide.  
Non-slip inserts polyurethane.

### Version:

Body black.

### Note:

There should be no load on the feet when adjusting.  
The specified axial, static load capacity refers to a screw protruding 10 mm and lying fully flat.  
The adjustment plugs are not suitable as load gliders and are not intended for dynamic loads.

The lamellar form of the nut can be closed or interrupted.

Forms A and B: from 60 mm with fitted threaded shell.

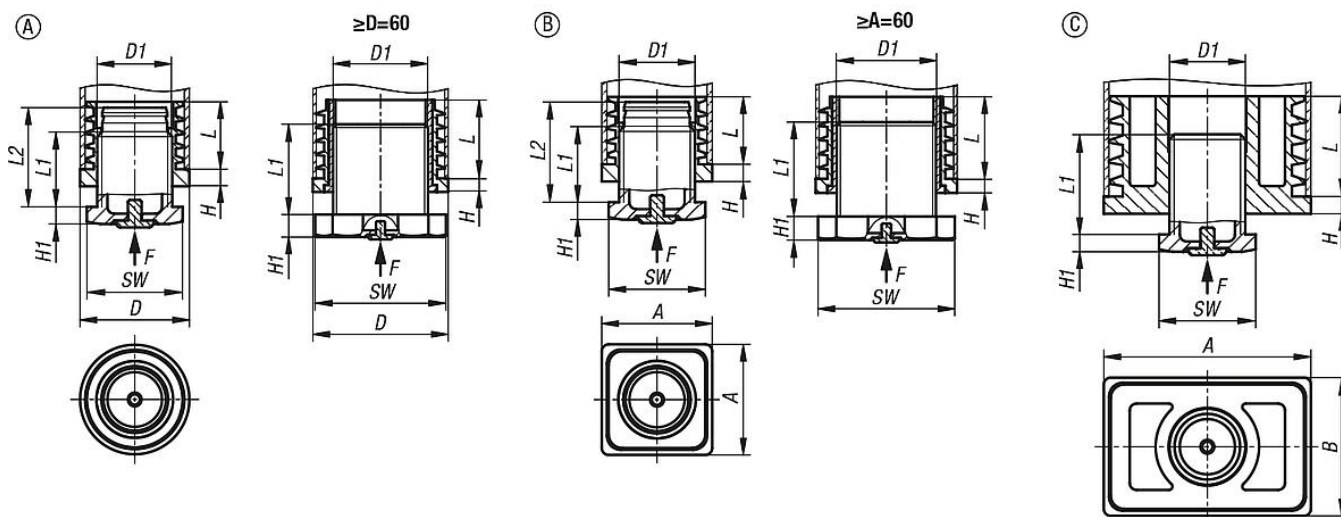
### Application:

The adjustment plugs are used in steel pipes, tube covers or aluminium base frames in industry, trade and households. Particularly suitable for preventing sliding on smooth floors.

### Assembly:

They can be pushed in by hand or tapped in with a plastic hammer.

## Drawings



## Overview of items

### Adjustment plugs, plastic with non-slip inserts for round and square tubes

Order No.	Version 2	Form	Form definition	A	B	D	D1	H	H1	L	L1	L2	SW	Load rating max. kN (static load only)	Suitable for
K2034.00251520	for round tubes	A	round	-	-	25	M16	5	5	19,7	22	29	24	1,5	Ø25x1,5-2

# Adjustment plugs, plastic with non-slip inserts for round and square tubes

## Overview of items

Order No.	Version 2	Form	Form definition	A	B	D	D1	H	H1	L	L1	L2	SW	Load rating max. kN (static load only)	Suitable for
K2034.00301015	for round tubes	A	round	-	-	30	M22	5	5	19,7	29	-	28	3	Ø30x1-1,5
K2034.00301520	for round tubes	A	round	-	-	30	M22	5	5	27	29	-	28	2,5	Ø30x1,5-2
K2034.00321520	for round tubes	A	round	-	-	32	M22	5	5	19,7	29	-	28	3	Ø32x1,5-2
K2034.00351520	for round tubes	A	round	-	-	35	M22	5	5	29,3	29	-	28	3	Ø35x1,5-2
K2034.00352025	for round tubes	A	round	-	-	35	M22	5	5	29,3	29	-	28	3	Ø35x2-2,5
K2034.00381520	for round tubes	A	round	-	-	38	M22	5	5	29,3	29	-	28	3	Ø38x1,5-2
K2034.00401520	for round tubes	A	round	-	-	40	M22	5	5	29,3	29	-	28	3	Ø40x1,5-2
K2034.00402025	for round tubes	A	round	-	-	40	M22	5	5	29,3	29	-	28	3	Ø40x2-2,5
K2034.00421520	for round tubes	A	round	-	-	42	M30	5	5	29,3	31	-	41	3	Ø42x1,5-2
K2034.00451520	for round tubes	A	round	-	-	45	M30	5	5	29,3	31	-	41	3	Ø45x1,5-2
K2034.00501520	for round tubes	A	round	-	-	50	M30	5	5	29,3	31	-	41	3	Ø50x1,5-2
K2034.00511220	for round tubes	A	round	-	-	50,8	M30	5	5	29,3	31	-	41	3	Ø50,8x1,2-2
K2034.00601520	for round tubes	A	round	-	-	60	S42X2	6	10	34,7	40	-	58	3	Ø60x1,5-2
K2034.00801520	for round tubes	A	round	-	-	80	S56X2	6	10	34,7	40	-	74	3	Ø80x1,5-2
K2034.25251015	for square tubing	B	square	25	-	-	M16	5	5	20	22,5	29	24	1,5	25x25x1-1,5
K2034.25251520	for square tubing	B	square	25	-	-	M16	5	5	20	22,5	29	24	1,5	25x25x1,5-2
K2034.30301015	for square tubing	B	square	30	-	-	M22	5	5	19,5	29	-	28	3	30x30x1-1,5
K2034.30301520	for square tubing	B	square	30	-	-	M22	5	5	19,5	29	-	28	3	30x30x1,5-2
K2034.35351520	for square tubing	B	square	35	-	-	M22	5	5	29,3	29	-	28	3	35x35x1,5-2
K2034.35352025	for square tubing	B	square	35	-	-	M22	5	5	29,3	29	-	28	3	35x35x2-2,5
K2034.40401520	for square tubing	B	square	40	-	-	M22	5	5	29,3	29	-	28	3	40x40x1,5-2
K2034.40402025	for square tubing	B	square	40	-	-	M22	5	5	29,3	29	-	28	3	40x40x2-2,5
K2034.45451520	for square tubing	B	square	45	-	-	M30	5	5	29,3	31	-	41	3	45x45x1,5-2
K2034.50501520	for square tubing	B	square	50	-	-	M30	5	5	29,3	31	-	41	3	50x50x1,5-2
K2034.50502025	for square tubing	B	square	50	-	-	M30	5	5	29,3	31	-	41	3	50x50x2-2,5
K2034.60601520	for square tubing	B	square	60	-	-	S42X2	6	10	34,8	37	-	58	1,75	60x60x1,5-2
K2034.60401520	-	C	rectangular	60	40	-	M22	5	5	29	29	-	28	4	60x40x1,5-2