

Plugs with tapped hole, plastic for square tubes

Item description/product images



Description

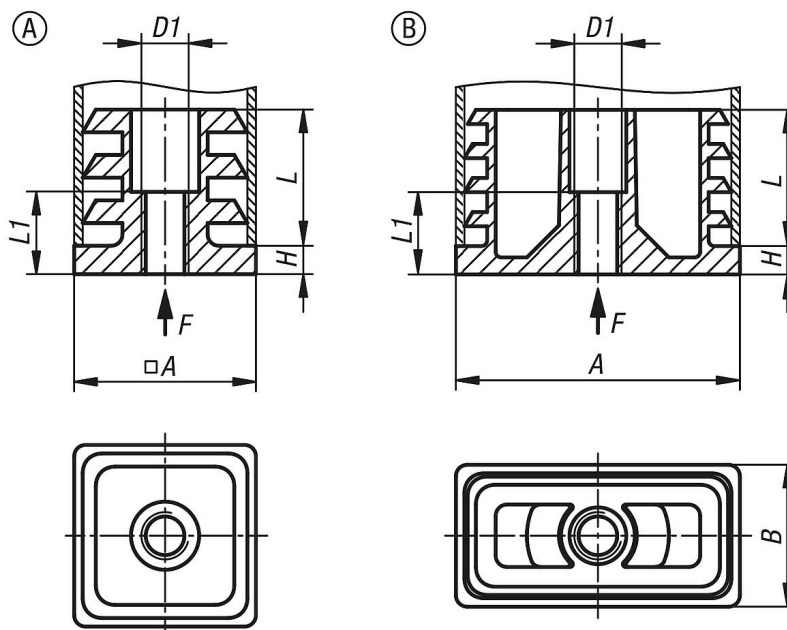
Material:
Body polyamide.

Version:
Body black.

Note:
Threaded round inserts for attaching levelling feet, swivel feet and castors to round tubes.

Assembly:
They can be pushed in by hand or tapped in with a plastic hammer.

Drawings



Overview of items

Plugs with tapped hole, plastic for square tubes

Order No.	Form	Form definition	A	B	D1	H	L	L1	Load rating max. kN (static load only)	Suitable for
K2031.2020081520	A	square	20	-	M8	5	16,5	14,5	2	20x20x1,5-2
K2031.2222081520	A	square	22	-	M8	5	16,5	14,5	2	22x22x1,5-2
K2031.2525081520	A	square	25	-	M8	5	16,5	14,5	2	25x25x1,5-2
K2031.3030081520	A	square	30	-	M8	5	16,5	14,5	2	30x30x1,5-2
K2031.3030082530	A	square	30	-	M8	5	16,5	14,5	2	30x30x2,5-3
K2031.3232081520	A	square	32	-	M8	5	24	14,5	2	32x32x1,5-2
K2031.3434081520	A	square	34	-	M8	5	24	14,5	2	34x34x1,5-2
K2031.3535081520	A	square	35	-	M8	5	24	14,5	2	35x35x1,5-2
K2031.3838081520	A	square	38	-	M8	5	24	14,5	2	38x38x1,5-2
K2031.4040081520	A	square	40	-	M8	5	24	14,5	2	40x40x1,5-2
K2031.4040082530	A	square	40	-	M8	5	24	14,5	2	40x40x2,5-3
K2031.4545081520	A	square	45	-	M8	5	24	14,5	2	45x45x1,5-2

Plugs with tapped hole, plastic for square tubes

Overview of items

Order No.	Form	Form definition	A	B	D1	H	L	L1	Load rating max. kN (static load only)	Suitable for
K2031.5050081520	A	square	50	-	M8	5	24	14,5	2	50x50x1,5-2
K2031.5050082530	A	square	50	-	M8	5	24	14,5	2	50x50x2,5-3
K2031.2020101520	A	square	20	-	M10	5	16,5	14,5	2	20x20x1,5-2
K2031.2222101520	A	square	22	-	M10	5	16,5	14,5	2	22x22x1,5-2
K2031.2525101520	A	square	25	-	M10	5	16,5	14,5	2	25x25x1,5-2
K2031.3030101520	A	square	30	-	M10	5	16,5	14,5	2	30x30x1,5-2
K2031.3030102530	A	square	30	-	M10	5	16,5	14,5	2	30x30x2,5-3
K2031.3232101520	A	square	32	-	M10	5	24	14,5	2	32x32x1,5-2
K2031.3434101520	A	square	34	-	M10	5	24	14,5	2	34x34x1,5-2
K2031.3535101520	A	square	35	-	M10	5	24	14,5	2	35x35x1,5-2
K2031.3838101520	A	square	38	-	M10	5	24	14,5	2	38x38x1,5-2
K2031.4040101520	A	square	40	-	M10	5	24	14,5	2	40x40x1,5-2
K2031.4040102530	A	square	40	-	M10	5	24	14,5	2	40x40x2,5-3
K2031.4545101520	A	square	45	-	M10	5	24	14,5	2	45x45x1,5-2
K2031.5050101520	A	square	50	-	M10	5	24	14,5	2	50x50x1,5-2
K2031.5050102530	A	square	50	-	M10	5	24	14,5	2	50x50x2,5-3
K2031.2525121520	A	square	25	-	M12	5	16,5	14,5	2	25x25x1,5-2
K2031.3030121520	A	square	30	-	M12	5	16,5	14,5	2	30x30x1,5-2
K2031.3030122530	A	square	30	-	M12	5	16,5	14,5	2	30x30x2,5-3
K2031.3232121520	A	square	32	-	M12	5	24	14,5	2	32x32x1,5-2
K2031.3434121520	A	square	34	-	M12	5	24	14,5	2	34x34x1,5-2
K2031.3535121520	A	square	35	-	M12	5	24	14,5	2	35x35x1,5-2
K2031.3838121520	A	square	38	-	M12	5	24	14,5	2	38x38x1,5-2
K2031.4040121520	A	square	40	-	M12	5	24	14,5	2	40x40x1,5-2
K2031.4040122530	A	square	40	-	M12	5	24	14,5	2	40x40x2,5-3
K2031.4545121520	A	square	45	-	M12	5	24	14,5	2	45x45x1,5-2
K2031.5050121520	A	square	50	-	M12	5	24	14,5	2	50x50x1,5-2
K2031.5050122530	A	square	50	-	M12	5	24	14,5	2	50x50x2,5-3
K2031.4020081520	B	rectangular	40	20	M8	5	24	14,5	2	40x20x1,5-2
K2031.4025081520	B	rectangular	40	25	M8	5	24	14,5	2	40x25x1,5-2
K2031.4030081520	B	rectangular	40	30	M8	5	24	14,5	2	40x30x1,5-2
K2031.5020081520	B	rectangular	50	20	M8	5	24	14,5	2	50x20x1,5-2
K2031.5025082530	B	rectangular	50	25	M8	5	24	14,5	2	50x25x1,5-2
K2031.5030081015	B	rectangular	50	30	M8	5	24	14,5	2	50x30x1-1,5
K2031.5030081520	B	rectangular	50	30	M8	5	24	14,5	2	50x30x1,5-2
K2031.6025081520	B	rectangular	60	25	M8	5	24	14,5	2	60x25x1,5-2
K2031.6030081520	B	rectangular	60	30	M8	5	24	14,5	2	60x30x1,5-2
K2031.6040081520	B	rectangular	60	40	M8	5	24	14,5	2	60x40x1,5-2
K2031.4020101520	B	rectangular	40	20	M10	5	24	14,5	2	40x20x1,5-2
K2031.4025101520	B	rectangular	40	25	M10	5	24	14,5	2	40x25x1,5-2
K2031.4030101520	B	rectangular	40	30	M10	5	24	14,5	2	40x30x1,5-2
K2031.5020101520	B	rectangular	50	20	M10	5	24	14,5	2	50x20x1,5-2
K2031.5025102530	B	rectangular	50	25	M10	5	24	14,5	2	50x25x1,5-2
K2031.5030101015	B	rectangular	50	30	M10	5	24	14,5	2	50x30x1-1,5
K2031.5030101520	B	rectangular	50	30	M10	5	24	14,5	2	50x30x1,5-2
K2031.6025101520	B	rectangular	60	25	M10	5	24	14,5	2	60x25x1,5-2
K2031.6030101520	B	rectangular	60	30	M10	5	24	14,5	2	60x30x1,5-2
K2031.6040101520	B	rectangular	60	40	M10	5	24	14,5	2	60x40x1,5-2
K2031.4030121520	B	rectangular	40	30	M12	5	24	14,5	2	40x30x1,5-2
K2031.5030121015	B	rectangular	50	30	M12	5	24	14,5	2	50x30x1-1,5
K2031.5030121520	B	rectangular	50	30	M12	5	24	14,5	2	50x30x1,5-2
K2031.6030121520	B	rectangular	60	30	M12	5	24	14,5	2	60x30x1,5-2
K2031.6040121520	B	rectangular	60	40	M12	5	24	14,5	2	60x40x1,5-2

