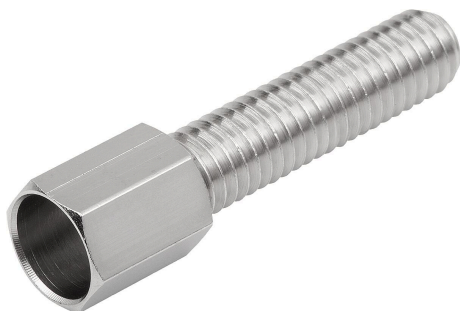


Setscrews

Item description/product images



Description

Material:

Brass.

Version:

electro zinc-plated or nickel-plated.

Note:

The setscrew is a replacement part for the indexing plungers with remote actuation K1502.

Accessory:

Wire cable with ball K2023.

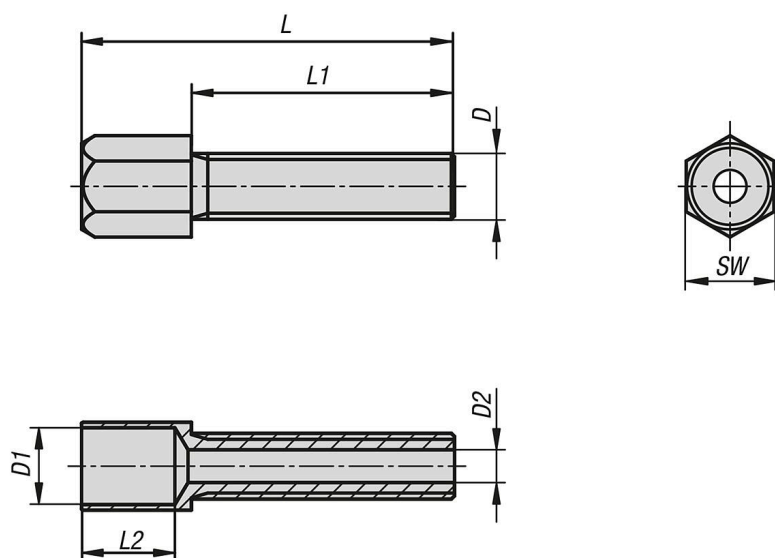
Traction sleeve with inner tube K2024.

End sleeve K2025.

Screw nipple K2027.

Hex nut K0700.

Drawings



Overview of items

Setscrews

| Order No. | Surface finish body | D | D1 | D2 | L | L1 | L2 | SW |
|----------------|------------------------|----|----|-----|----|----|-----|----|
| K2026.0306X24 | nickel-plated | M6 | 7 | 3 | 34 | 24 | 8,5 | 8 |
| K2026.02505X24 | electro zinc-plated | M5 | 7 | 2,5 | 34 | 24 | 8,5 | 8 |

