

Telescopic slides, steel partial extension, load capacity up to 741 kg

Item description/product images



Description

Material:

Balls, rails and runners roller bearing steel.

Version:

Rail and slide electro zinc-plated.

Tracks inductively hardened.

Balls hardened.

Note for ordering:

Sold individually.

Note:

Partial extension consisting of a fixed guide rail and a movable runner. The slide can move somewhat more than half the length of the rail (S travel). By removing the locking screw, a partial extension with the travel length S is possible to both sides.

The total travel is thus 2S .

This compact and simple construction allows very high load ratings.

The maximum traversing speed is 0.8 m/s.

Application temperature -30 °C to +170 °C.

On request:

Other lengths (pitch 80 mm).

Size 28 up to max. 1170 mm.

Size 35 up to max. 1490 mm.

Size 43 up to max. 1970 mm.

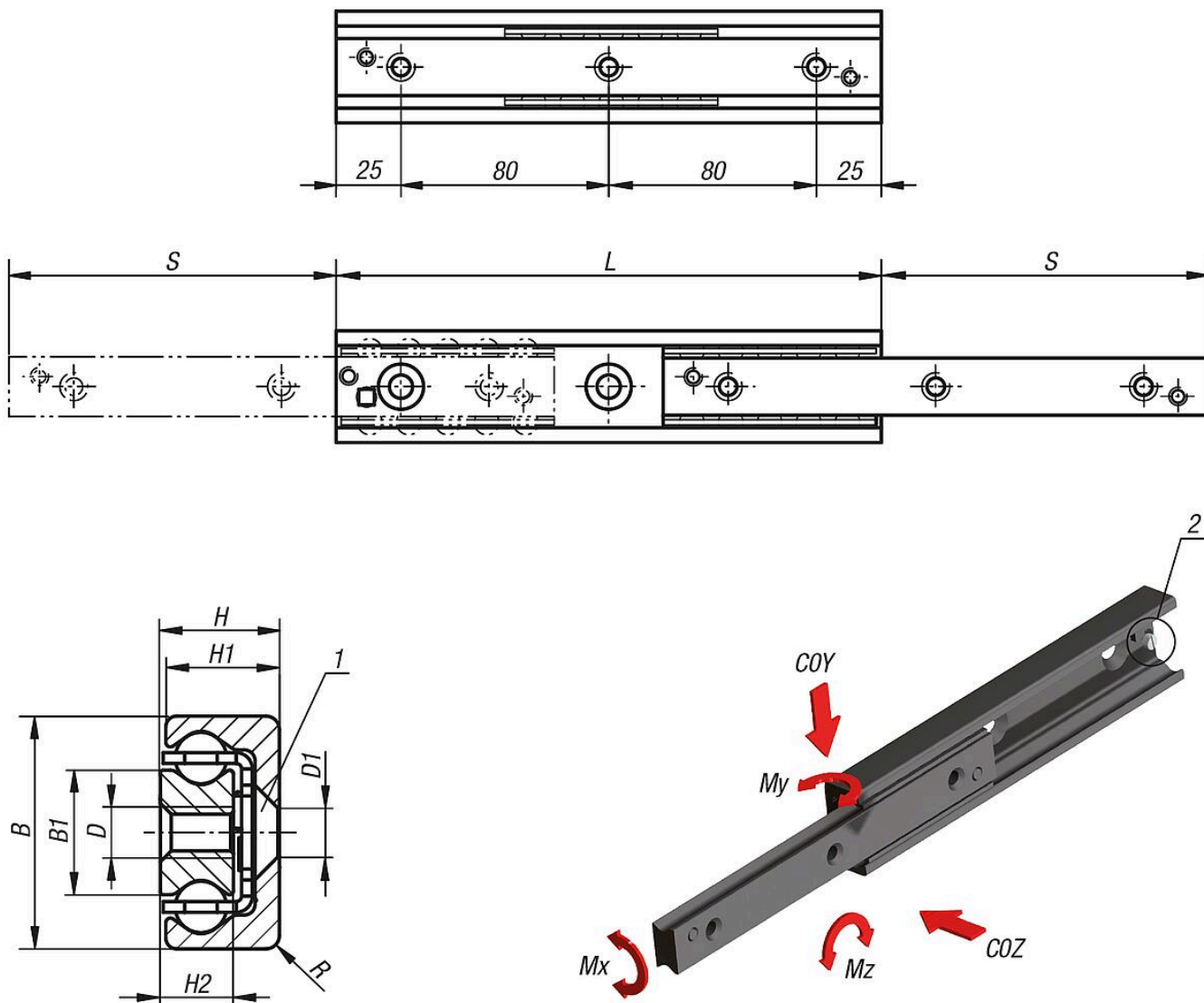
Drawing reference:

1) for countersunk screw DIN EN ISO 10642

2) set screw

Telescopic slides, steel partial extension, load capacity up to 741 kg

Drawings



Overview of items

Telescopic slides, steel, partial extension, load capacity up to 741 kg

Order No.	Size	B	B1	D	D1	H	H1	H2	L	R	Travel S	COY N	COZ N	Mx Nm	My Nm	Mz Nm	No. of holes
K2020.280290	28	28	15	M5	M5	13	12,25	7,5	290	1	148	1934	1345	39,6	132	188	4
K2020.280370	28	28	15	M5	M5	13	12,25	7,5	370	1	190	2445	1711	50,4	213	305	5
K2020.280450	28	28	15	M5	M5	13	12,25	7,5	450	1	232	2955	2069	61,2	314	449	6
K2020.280530	28	28	15	M5	M5	13	12,25	7,5	530	1	274	3466	2426	72	435	621	7
K2020.280610	28	28	15	M5	M5	13	12,25	7,5	610	1	315	3986	2790	82,8	575	821	8
K2020.350290	35	35	15,8	M6	M6	17	16	10	290	2	159	2060	1442	46,9	146	208	4
K2020.350370	35	35	15,8	M6	M6	17	16	10	370	2	203	2638	1847	59,9	238	340	5
K2020.350450	35	35	15,8	M6	M6	17	16	10	450	2	247	3217	2252	73	345	505	6
K2020.350530	35	35	15,8	M6	M6	17	16	10	530	2	279	4282	2997	90,4	543	775	7
K2020.350610	35	35	15,8	M6	M6	17	16	10	610	2	323	4858	3401	103,5	711	1015	8
K2020.430290	43	43	23	M8	M8	22	21	13,5	290	2,5	158	2872	2010	93,8	201	288	4
K2020.430370	43	43	23	M8	M8	22	21	13,5	370	2,5	208	3377	2364	115,9	308	440	5
K2020.430450	43	43	23	M8	M8	22	21	13,5	450	2,5	243	4690	3283	149,2	509	728	6
K2020.430530	43	43	23	M8	M8	22	21	13,5	530	2,5	278	6039	4227	182,4	762	1088	7
K2020.430610	43	43	23	M8	M8	22	21	13,5	610	2,5	313	7411	5188	215,6	1064	1521	8

