

Angle steel

Item description/product images



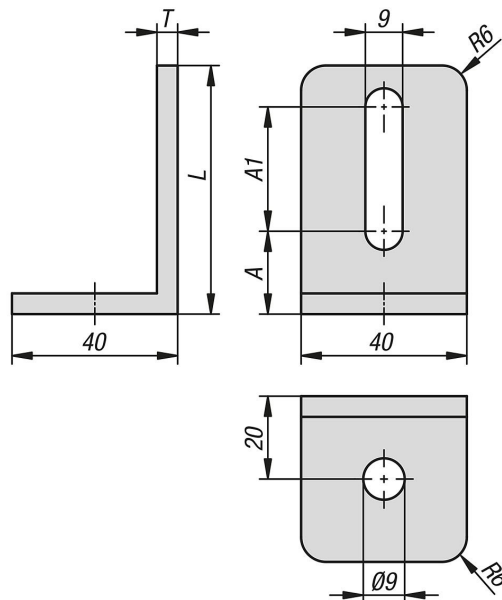
Description

Material:
Steel.

Version:
Electro zinc-plated.

Note:
Universal fastening element for a rigid connection and linkage of profiles, panel elements or lightweight shelving.

Drawings



Overview of items

Angle steel

Order No.	A	A1	L	T
K2017.060	20	30	60	5

Overview of items

Order No.	A	A1	L	T
K2017.080	16	50	80	6