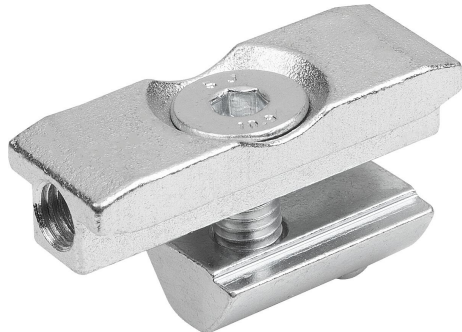


## Slot key direct connectors Type I

### Item description/product images



### Description

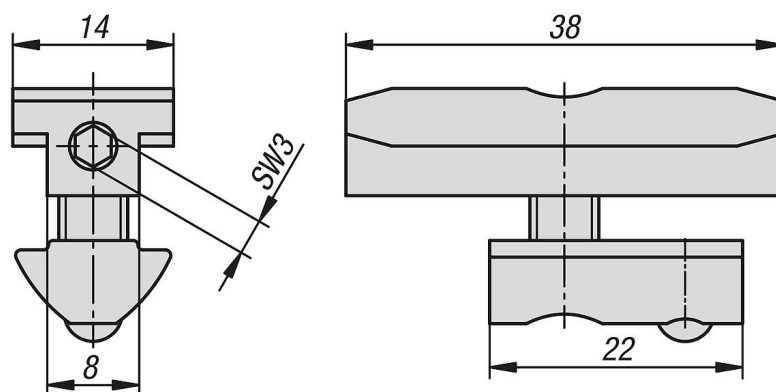
**Material:**  
Steel.

**Version:**  
Electro zinc-plated.

**Note:**  
For the crosswise or parallel connection of two aluminium profiles without the need for machining.

Also suitable for mounting socket strips and LED lamps.

### Drawings



### Overview of items

#### Slot key direct connectors type I

Order No.	Slot width	Product type
K2016.0806	8	for aluminium profile type I

