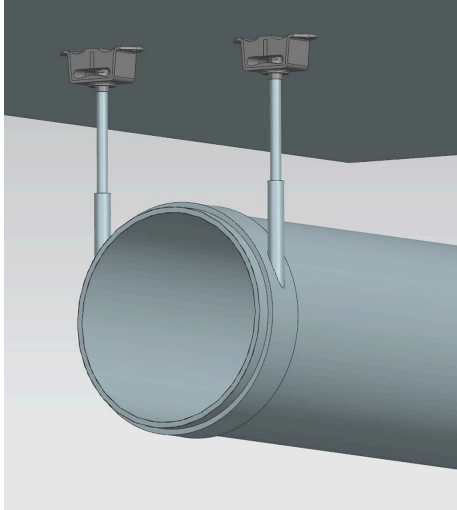


Rubber-metal overhead element

Item description/product images



Description

Material:

Steel.

Natural rubber soft (Shore 45A), medium (Shore 60A), hard (Shore 70A).

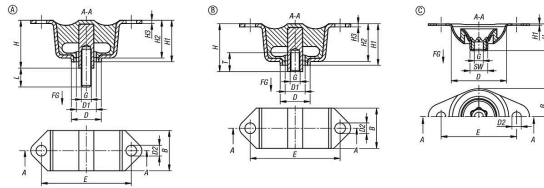
Version:

Steel electro zinc-plated.

Note:

The rubber-metal overhead elements are suspension elements with built-in shear protection and are suitable for suspending lighting fixtures, apparatus and pipelines. These overhead elements can be subjected to tensile loads and smoothly absorb both impact and acceleration forces.

Drawings



Overview of items

Rubber-metal overhead element

Order No.	Form	Version 1	B	D	D1	D2	E	G	H	H1	H2	H3	L	T	SW	Shore grade	Load N
K2012.10845	A	External thread	32	25	16	8,5	72	M8	38	33	30	2,5	15	-	-	45	125
K2012.10860	A	External thread	32	25	16	8,5	72	M8	38	33	30	2,5	15	-	-	60	200
K2012.10870	A	External thread	32	25	16	8,5	72	M8	38	33	30	2,5	15	-	-	70	300
K2012.00845	B	Internal thread	32	25	16	8,5	72	M8	38	33	30	2,5	-	15	-	45	125
K2012.00860	B	Internal thread	32	25	16	8,5	72	M8	38	33	30	2,5	-	15	-	60	200
K2012.00870	B	Internal thread	32	25	16	8,5	72	M8	38	33	30	2,5	-	15	-	70	300
K2012.01040	C	Internal thread	62,5	63	-	10,5	85	M10	30	-	-	1,5	-	-	21	40	250
K2012.01060	C	Internal thread	62,5	63	-	10,5	85	M10	30	-	-	1,5	-	-	21	60	700