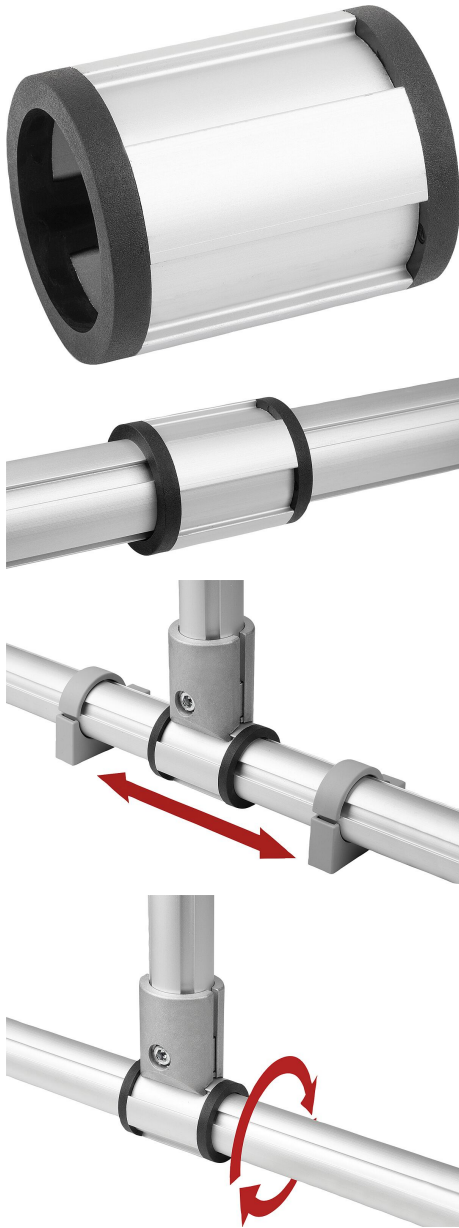


Plain bearings Ø30 type I

Item description/product images



Description

Material:

Bearing element: Plastic POM.
Intermediate piece: Aluminium.

Version:

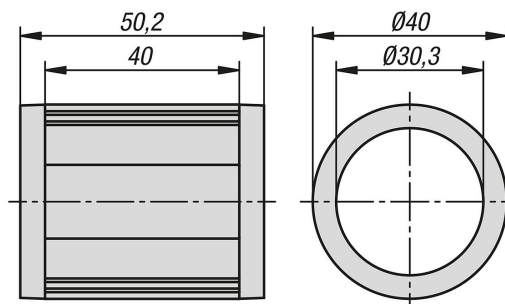
Bearing element: Black.
Intermediate piece: Anodised.

Note:

The plain bearing enables low-friction and lubricant-free movement on round tubes and profile tubes with 30 mm OD.

Permits radial and linear movements.

Drawings



Overview of items

Plain bearings Ø30 type I

Overview of items

Plain bearings Ø30 type I

Order No.	Profile	ESD electrostatic discharging
K2009.30	Ø30	yes