

End caps Ø30 for profile tubes type I

Item description/product images



Description

Material:

Plastic PA, fibreglass reinforced.

Version:

Grey similar to RAL 7042 or black.

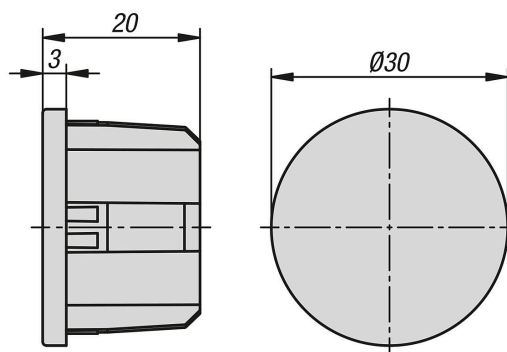
Note:

Suitable for profile tubes with 30 mm OD.

The end caps close the open profile tube ends and thus provide a visually appealing finish while simultaneously safely covering any sharp edges.

The end caps are available in grey or as an ESD conductive black version.

Drawings



Overview of items

End caps Ø30 for profile tubes type I

Order No.	Main colour	Profile	ESD electrostatic discharging
K2004.3012	grey	Ø30	no
K2004.3021	black	Ø30	yes