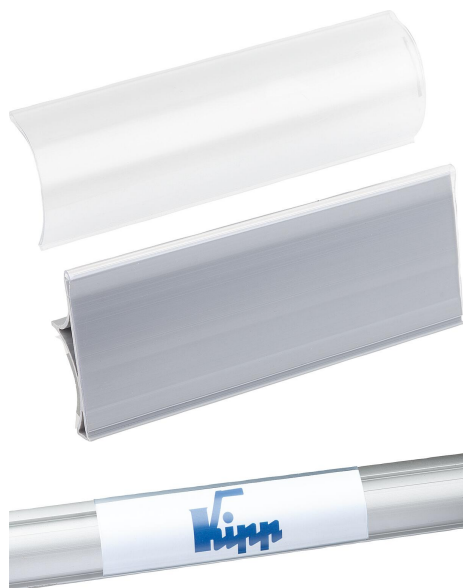


Label holders Ø30 type I transparent, self adhesive

Item description/product images



Description

Material:
Plastic hard PVC.

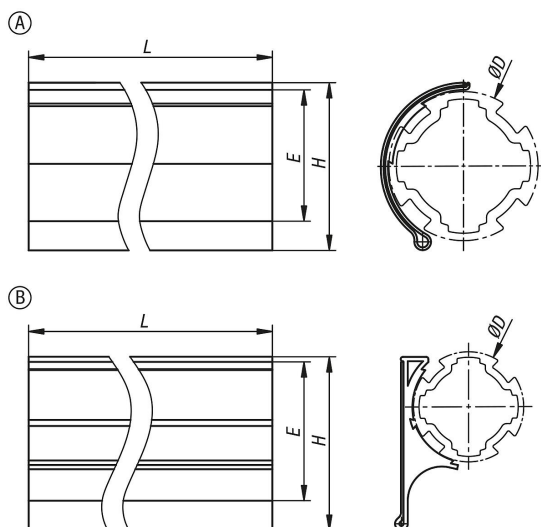
Version:
Form A: transparent.
Form B: transparent / grey, similat to RAL 7035.

Note:
Suitable for round tubes and profile tubes with 30 mm OD.

The label holders are made from transparent plastic (Form B front transparent, rear grey). Labelled card or paper strips can be inserted into the opening in the top. Suitable for 38 mm high x 100 mm long labels.

The self-adhesive strip on the back ensures that the label holders are permanently bonded to the profile.

Drawings



Overview of items

Label holders Ø30 type I transparent, self-adhesive

Order No.	Form	Form definition	Profile	D	L	H	E
K2002.301	A	round	Ø30	30	102	30,2	26,4
K2002.302	B	straight	Ø30	30	102	41	38