

# Indexing plunger mini steel or stainless steel with plastic mushroom grip

## Item description/product images



## Description

### Product description:

Indexing plungers are used where any change in locking position due to lateral forces should be prevented. A new indexed position can only be moved to after the pin has been manually retracted.

Form C is recommended for applications where the indexing pin should remain disengaged for an extended period and be prevented from springing back.

Mini indexing plungers enable a wide range of applications, especially in small installation spaces. They are a space-saving and cost-effective alternative to the familiar standard designs.

### Material:

Steel version:

Threaded sleeve free-cutting steel.

Indexing pin 1.4305.

Stainless steel version:

Threaded sleeve and indexing pin 1.4305.

Mushroom grip thermoplastic.

### Version:

Steel version:

Threaded sleeve blue passivated.

Indexing pin bright.

Stainless steel version:

Threaded sleeve and indexing pin bright.

Mushroom grip black-grey RAL 7021 or traffic red RAL 3020.

### Note:

In Form C, the mushroom grip can be rotated by 30° to hold the indexing pin in pulled position.

### Assembly:

The indexing pin must be pulled out for installation with an open-end spanner.

### On request:

Special versions.

### Accessory:

Spacer rings K0665.

Hexagon nuts K0700.

Positioning bushes for indexing plunger K1290.

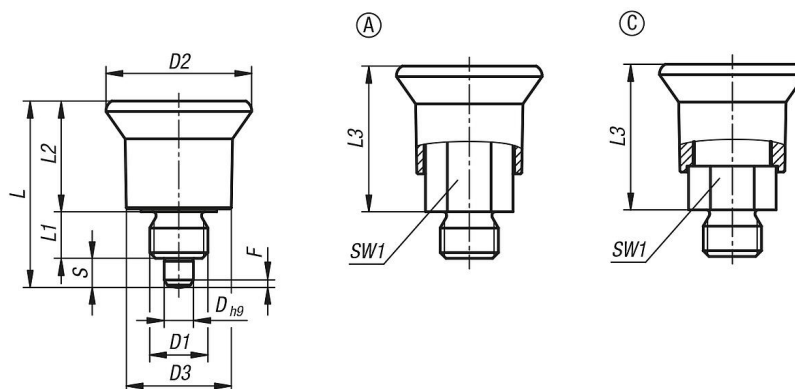
### Drawing reference:

Form A: non-lockout type, without locknut

Form C: lockout type, without locknut

# Indexing plunger mini steel or stainless steel with plastic mushroom grip

## Drawings



## Overview of items

### Indexing plunger mini steel or stainless steel with plastic mushroom grip

Order No.	Form	Main material	Surface finish body	Component colour	D	D1	D2	D3	L	L1	L2	L3	Travel S	SW1	Fx30°	Spring force initial pressure F1 approx. N	Spring force final pressure F2 approx. N
K2000.1004081	A	steel	blue-passivated	black grey RAL 7021	4	M8x1	21	15	26,5	6	16,5	21,5	4	10	1	3	16
K2000.1005081	A	steel	blue-passivated	black grey RAL 7021	5	M8x1	21	15	27,5	6	16,5	21,5	5	10	1,3	3	16
K2000.1105101	A	steel	blue-passivated	black grey RAL 7021	5	M10x1	25	18	32	8	19	25	5	13	1,3	4,5	12,5
K2000.1106101	A	steel	blue-passivated	black grey RAL 7021	6	M10x1	25	18	33	8	19	25	6	13	1,8	4,5	12,5
K2000.1206121	A	steel	blue-passivated	black grey RAL 7021	6	M12x1,5	29	20	39	10	23	31	6	14	1,8	5	19
K2000.1208121	A	steel	blue-passivated	black grey RAL 7021	8	M12x1,5	29	20	41	10	23	31	8	14	2,3	5	19
K2000.1308161	A	steel	blue-passivated	black grey RAL 7021	8	M16x1,5	33	23	46	12	26	36	8	17	2,3	12	38
K2000.1310161	A	steel	blue-passivated	black grey RAL 7021	10	M16x1,5	33	23	48	12	26	36	10	17	2,8	12	38
K2000.100408184	A	steel	blue-passivated	traffic red RAL 3020	4	M8x1	21	15	26,5	6	16,5	21,5	4	10	1	3	16
K2000.100508184	A	steel	blue-passivated	traffic red RAL 3020	5	M8x1	21	15	27,5	6	16,5	21,5	5	10	1,3	3	16
K2000.110510184	A	steel	blue-passivated	traffic red RAL 3020	5	M10x1	25	18	32	8	19	25	5	13	1,3	4,5	12,5
K2000.110610184	A	steel	blue-passivated	traffic red RAL 3020	6	M10x1	25	18	33	8	19	25	6	13	1,8	4,5	12,5
K2000.120612184	A	steel	blue-passivated	traffic red RAL 3020	6	M12x1,5	29	20	39	10	23	31	6	14	1,8	5	19
K2000.120812184	A	steel	blue-passivated	traffic red RAL 3020	8	M12x1,5	29	20	41	10	23	31	8	14	2,3	5	19
K2000.130816184	A	steel	blue-passivated	traffic red RAL 3020	8	M16x1,5	33	23	46	12	26	36	8	17	2,3	12	38
K2000.131016184	A	steel	blue-passivated	traffic red RAL 3020	10	M16x1,5	33	23	48	12	26	36	10	17	2,8	12	38
K2000.11004081	A	stainless steel	bright	black grey RAL 7021	4	M8x1	21	15	26,5	6	16,5	21,5	4	10	1	3	16
K2000.11005081	A	stainless steel	bright	black grey RAL 7021	5	M8x1	21	15	27,5	6	16,5	21,5	5	10	1,3	3	16
K2000.11105101	A	stainless steel	bright	black grey RAL 7021	5	M10x1	25	18	32	8	19	25	5	13	1,3	4,5	12,5
K2000.11106101	A	stainless steel	bright	black grey RAL 7021	6	M10x1	25	18	33	8	19	25	6	13	1,8	4,5	12,5
K2000.11206121	A	stainless steel	bright	black grey RAL 7021	6	M12x1,5	29	20	39	10	23	31	6	14	1,8	5	19
K2000.11208121	A	stainless steel	bright	black grey RAL 7021	8	M12x1,5	29	20	41	10	23	31	8	14	2,3	5	19
K2000.11308161	A	stainless steel	bright	black grey RAL 7021	8	M16x1,5	33	23	46	12	26	36	8	17	2,3	12	38
K2000.11310161	A	stainless steel	bright	black grey RAL 7021	10	M16x1,5	33	23	48	12	26	36	10	17	2,8	12	38
K2000.1100408184	A	stainless steel	bright	traffic red RAL 3020	4	M8x1	21	15	26,5	6	16,5	21,5	4	10	1	3	16
K2000.1100508184	A	stainless steel	bright	traffic red RAL 3020	5	M8x1	21	15	27,5	6	16,5	21,5	5	10	1,3	3	16
K2000.1110510184	A	stainless steel	bright	traffic red RAL 3020	5	M10x1	25	18	32	8	19	25	5	13	1,3	4,5	12,5
K2000.1110610184	A	stainless steel	bright	traffic red RAL 3020	6	M10x1	25	18	33	8	19	25	6	13	1,8	4,5	12,5
K2000.1120612184	A	stainless steel	bright	traffic red RAL 3020	6	M12x1,5	29	20	39	10	23	31	6	14	1,8	5	19
K2000.1131016184	A	stainless steel	bright	traffic red RAL 3020	10	M16x1,5	33	23	48	12	26	36	10	17	2,8	12	38
K2000.1120812184	A	stainless steel	bright	traffic red RAL 3020	8	M12x1,5	29	20	41	10	23	31	8	14	2,3	5	19
K2000.1130816184	A	stainless steel	bright	traffic red RAL 3020	8	M16x1,5	33	23	46	12	26	36	8	17	2,3	12	38
K2000.3004081	C	steel	blue-passivated	black grey RAL 7021	4	M8x1	21	15	26,5	6	16,5	21,5	4	10	1	3	16
K2000.3005081	C	steel	blue-passivated	black grey RAL 7021	5	M8x1	21	15	27,5	6	16,5	21,5	5	10	1,3	3	16
K2000.3105101	C	steel	blue-passivated	black grey RAL 7021	5	M10x1	25	18	32	8	19	25	5	13	1,3	4,5	12,5
K2000.3106101	C	steel	blue-passivated	black grey RAL 7021	6	M10x1	25	18	33	8	19	25	6	13	1,8	4,5	12,5
K2000.3206121	C	steel	blue-passivated	black grey RAL 7021	6	M12x1,5	29	20	39	10	23	31	6	14	1,8	5	19
K2000.3208121	C	steel	blue-passivated	black grey RAL 7021	8	M12x1,5	29	20	41	10	23	31	8	14	2,3	5	19
K2000.3308161	C	steel	blue-passivated	black grey RAL 7021	8	M16x1,5	33	23	46	12	26	36	8	17	2,3	12	38
K2000.3310161	C	steel	blue-passivated	black grey RAL 7021	10	M16x1,5	33	23	48	12	26	36	10	17	2,8	12	38
K2000.300408184	C	steel	blue-passivated	traffic red RAL 3020	4	M8x1	21	15	26,5	6	16,5	21,5	4	10	1	3	16

# Indexing plunger mini steel or stainless steel with plastic mushroom grip

## Overview of items

Order No.	Form	Main material	Surface finish body	Component colour	D	D1	D2 D3	L	L1	L2	L3	Travel S	SW1	Fx30°	Spring force initial pressure F1 approx. N	Spring force final pressure F2 approx. N
K2000.300508184	C	steel	blue-passivated	traffic red RAL 3020	5	M8x1	21 15 27,5 6	16,5	21,5	5	10	1,3	3	16		
K2000.310510184	C	steel	blue-passivated	traffic red RAL 3020	5	M10x1	25 18 32 8 19	25	5	13	1,3	4,5	12,5			
K2000.310610184	C	steel	blue-passivated	traffic red RAL 3020	6	M10x1	25 18 33 8 19	25	6	13	1,8	4,5	12,5			
K2000.320612184	C	steel	blue-passivated	traffic red RAL 3020	6	M12x1,5	29 20 39 10 23	31	6	14	1,8	5	19			
K2000.320812184	C	steel	blue-passivated	traffic red RAL 3020	8	M12x1,5	29 20 41 10 23	31	8	14	2,3	5	19			
K2000.330816184	C	steel	blue-passivated	traffic red RAL 3020	8	M16x1,5	33 23 46 12 26	36	8	17	2,3	12	38			
K2000.331016184	C	steel	blue-passivated	traffic red RAL 3020	10	M16x1,5	33 23 48 12 26	36	10	17	2,8	12	38			
K2000.13004081	C	stainless steel	bright	black grey RAL 7021	4	M8x1	21 15 26,5 6	16,5	21,5	4	10	1	3	16		
K2000.13005081	C	stainless steel	bright	black grey RAL 7021	5	M8x1	21 15 27,5 6	16,5	21,5	5	10	1,3	3	16		
K2000.13105101	C	stainless steel	bright	black grey RAL 7021	5	M10x1	25 18 32 8 19	25	5	13	1,3	4,5	12,5			
K2000.13106101	C	stainless steel	bright	black grey RAL 7021	6	M10x1	25 18 33 8 19	25	6	13	1,8	4,5	12,5			
K2000.13206121	C	stainless steel	bright	black grey RAL 7021	6	M12x1,5	29 20 39 10 23	31	6	14	1,8	5	19			
K2000.13208121	C	stainless steel	bright	black grey RAL 7021	8	M12x1,5	29 20 41 10 23	31	8	14	2,3	5	19			
K2000.13308161	C	stainless steel	bright	black grey RAL 7021	8	M16x1,5	33 23 46 12 26	36	8	17	2,3	12	38			
K2000.13310161	C	stainless steel	bright	black grey RAL 7021	10	M16x1,5	33 23 48 12 26	36	10	17	2,8	12	38			
K2000.1300408184	C	stainless steel	bright	traffic red RAL 3020	4	M8x1	21 15 26,5 6	16,5	21,5	4	10	1	3	16		
K2000.1300508184	C	stainless steel	bright	traffic red RAL 3020	5	M8x1	21 15 27,5 6	16,5	21,5	5	10	1,3	3	16		
K2000.1310510184	C	stainless steel	bright	traffic red RAL 3020	5	M10x1	25 18 32 8 19	25	5	13	1,3	4,5	12,5			
K2000.1310610184	C	stainless steel	bright	traffic red RAL 3020	6	M10x1	25 18 33 8 19	25	6	13	1,8	4,5	12,5			
K2000.1320612184	C	stainless steel	bright	traffic red RAL 3020	6	M12x1,5	29 20 39 10 23	31	6	14	1,8	5	19			
K2000.1320812184	C	stainless steel	bright	traffic red RAL 3020	8	M12x1,5	29 20 41 10 23	31	8	14	2,3	5	19			
K2000.1330816184	C	stainless steel	bright	traffic red RAL 3020	8	M16x1,5	33 23 46 12 26	36	8	17	2,3	12	38			
K2000.1331016184	C	stainless steel	bright	traffic red RAL 3020	10	M16x1,5	33 23 48 12 26	36	10	17	2,8	12	38			