

Label holders Ø30 type I transparent

Item description/product images



Description

Material:

Label holder plastic PET.

Clip steel.

Version:

Label holder transparent.

Clip electro zinc-plated.

Note:

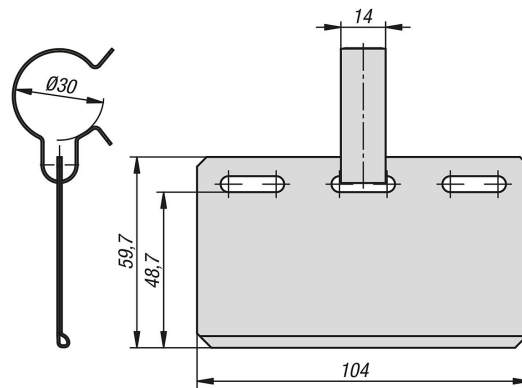
Suitable for round tubes and profile tubes with 30 mm OD.

The label holders are made from transparent plastic. Labelled card or paper strips can be inserted into the opening in the top. Suitable for 42 mm high x 100 mm long labels.

The label holders are simply attached using the clip and then hang under the profile.

Label holders Ø30 type I transparent

Drawings



Overview of items

Label holders Ø30 type I transparent

Order No.	Profile
K1999.30	Ø30