

## Clips Ø30 type I

### Item description/product images



### Description

**Material:**

Steel.

**Version:**

Electro zinc-plated.

**Note:**

For stable, torsion-free fastening of slot 8 aluminium profiles type I to round and profile tubes with 30 mm OD.

Type I aluminium profiles with 8 slot can be easily integrated into tubular constructions using these clips. The clip is very flat and yet very torsion-resistant.

Ideally suited for joining aluminium profiles for roller rails.

**Supplied with:**

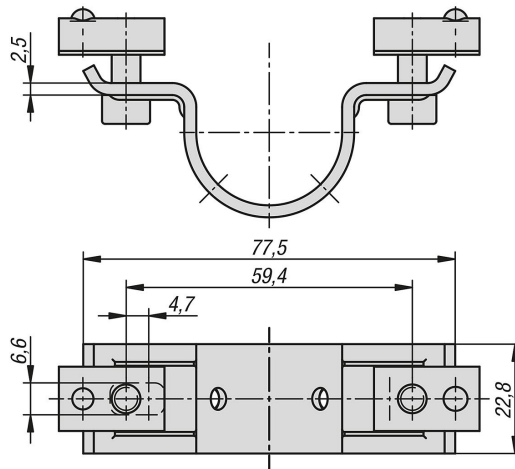
1 Clip.

2 Slot keys M6 for 8 mm slots, electro zinc-plated.

2 DIN EN ISO 4762 (DIN 912) - M6x16 screws, electro zinc-plated.

**Clips Ø30 type I**

**Drawings**



**Overview of items**

**Clips Ø30 type I**

Order No.	Profile	ESD electrostatic discharging
K1998.3008	Ø30	yes