

Table plate fastenings Ø30 type I

Item description/product images



Description

Material:

Clip steel. Spacer plastic PA, fibreglass reinforced.
Screws steel.

Version:

Clip electro zinc-plated.
Spacer grey, similar to RAL 7042.
Screws electro zinc-plated.

Note:

For fastening tabletops to Ø30 mm OD round tubes and profile tubes.

Robust fastening elements for fastening tabletops made from chipboard or multiplex boards. The heavy-duty steel clips are screwed to profile tubes and thus ensures a secure hold. The table top is secured with wood screws (supplied).

The spacers ensure an exact spacing so that the table top lies flush on the connectors of the tubular construction. This means everything is at the same level.

Tip: The Ø30 slide rail can be used to cover the gap between the tabletop and the profile tube.

Supplied with:

- 1 Clip.
- 1 Spacer.
- 1 Wood screw 6x25, electro zinc-plated.
- 2 DIN 7504 self-drilling screws Form N 3.9x16, electro zinc-plated.

Drawings

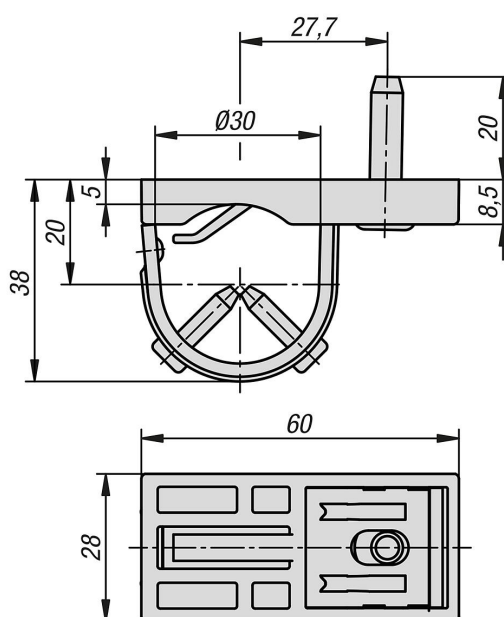


Table plate fastenings Ø30 type I

Overview of items

Table plate fastenings Ø30 type I

Order No.	Profile	ESD electrostatic discharging
K1996.30	Ø30	yes