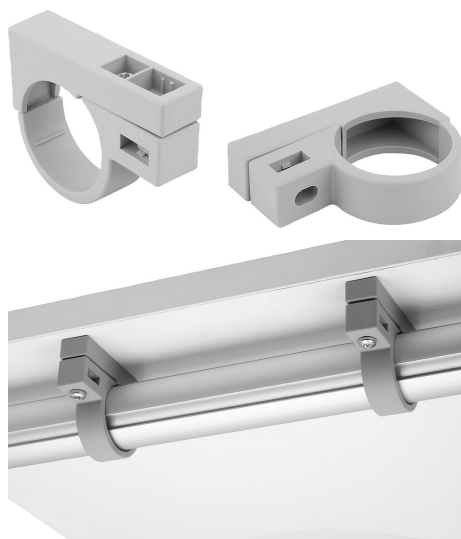


Surface attachment Ø30 type I

Item description/product images



Description

Material:

Panel fastening and spacer plastic PA.
Mounting set steel.

Version:

Grey, similar to RAL 7042.
Mounting set electro zinc-plated.

Note:

For universal fastening of panel elements or other components to Ø30 mm OD round tubes and profile tubes.

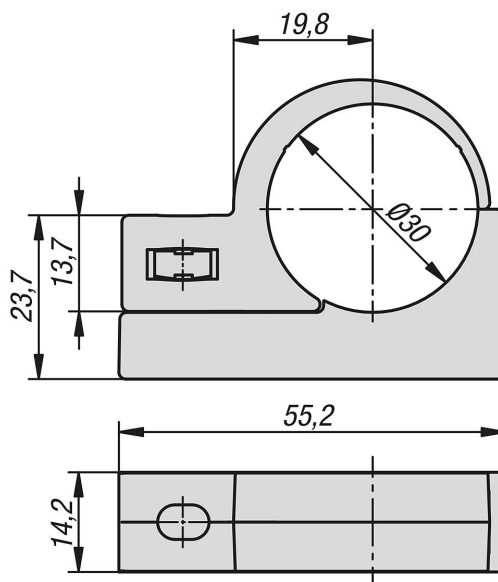
Depending on the intended use, the panel fastening is used alone or together with the supplied spacer.

Ideally suited for the fastening of panel elements such as cladding, screening and splash guards subject to light loads.

Supplied with:

1 Panel fastening.
1 Spacer.
1 DIN 557 M5 square nut, electro zinc-plated. 1 Self-tapping screw SF4x12, electro zinc-plated.

Drawings



Overview of items

Surface attachment Ø30 type I

Surface attachment Ø30 type I**Overview of items**

Order No.	Profile	ESD electrostatic discharging
K1995.30	Ø30	no