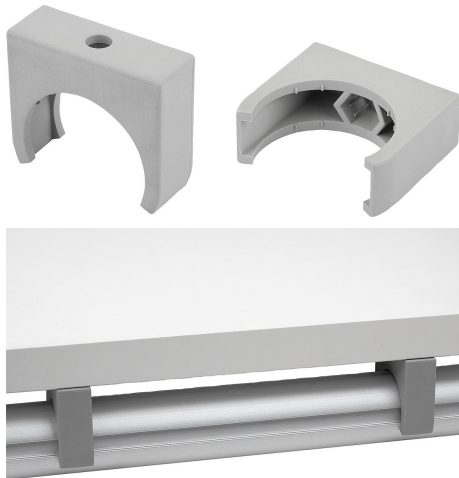


Locking clips Ø30 type I

Item description/product images



Description

Material:

Plastic PA, glass-bead reinforced.

Version:

Grey, similar to RAL 7042.

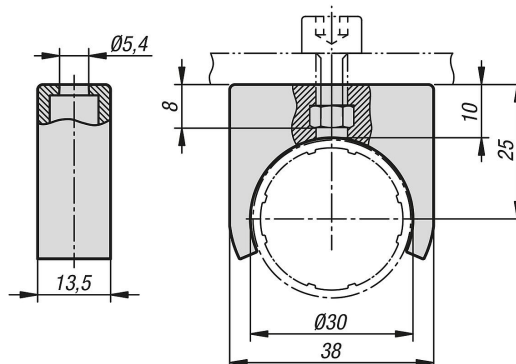
Note:

For fastening light panel elements or other components to Ø30 mm OD round tubes and profile tubes.

These clips are suitable for lightweight attachments. They are simply pushed onto the round tube without using tools and are just as easily removed. This makes them ideal where a part needs to be only temporarily mounted.

An M5 hex nut (not supplied) can be inserted into the clip to screw the panel element on.

Drawings



Overview of items

Locking clips Ø30 type I

Order No.	Profile	ESD electrostatic discharging
K1994.30	Ø30	no