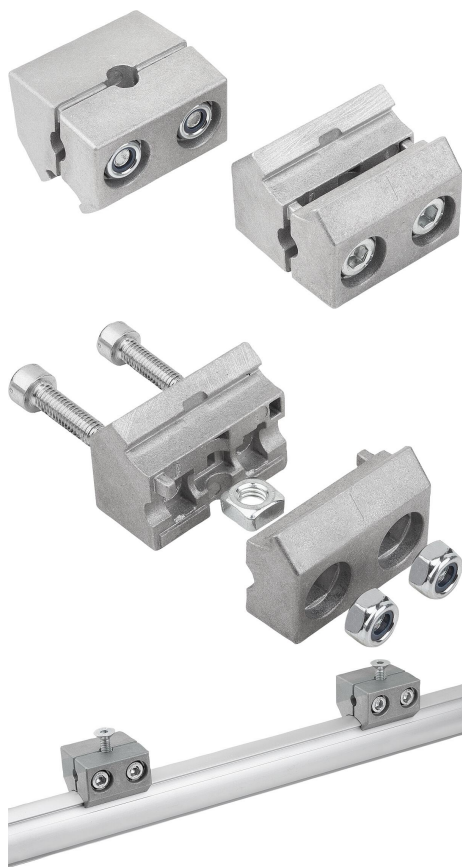


Multiblocks Ø30 type I

Item description/product images



Description

Material:
Die-cast aluminium.
Mounting set steel.

Version:
Bright.
Mounting parts electro zinc-plated.

Note:
Suitable for profile tubes with 30 mm OD.

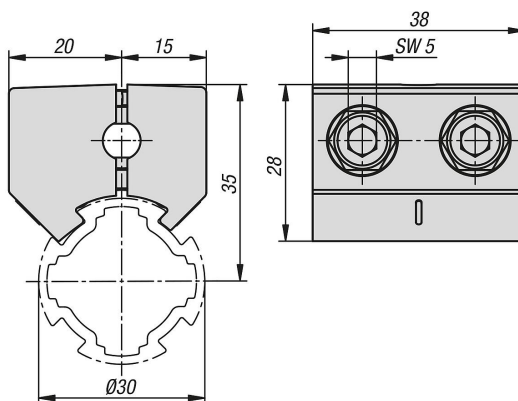
For the robust fastening of panel elements or other components onto profile tubes.

The components can be screwed to five sides of the multiblock. The different mounting levels of the 2-part multiblock enable attachments to be mounted at different heights. Thus, the attachments can be mounted tangentially to the round tube profile or at a spacing of 5 mm.

Supplied with:
1 Multiblock, 2-part.
2 DIN EN ISO 4762 (DIN 912) - M6x20 screws, electro zinc-plated.
1 DIN 557 M6 square nut, electro zinc-plated.
2 ISO 10511 M6 self-locking nuts, electro zinc-plated.

Articles are supplied pre-assembled.

Drawings



Overview of items

Multiblocks Ø30 type I

Order No.	Profile	ESD electrostatic discharging
K1993.30	Ø30	yes

