

Connector plates Ø30 type I

Item description/product images



Description

Material:
Steel.

Version:
Connection plate and assembly parts electro zinc-plated.

Note:
Suitable for profile tubes with 30 mm OD.

For right angle joints of a profile tube with a type I slot 8 aluminium profile.

Fastened with M6 screw in Ø30 profile tube using an M6 threaded insert.

Supplied with:

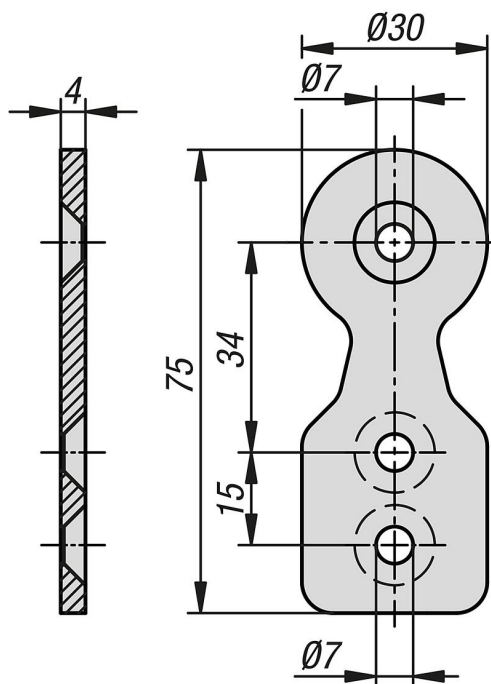
Set for 6 slot:

- 1 T-connector plate D30.
- 2 Slot keys - slot 6 - M6.
- 2 DIN 7991 M6x12 screws.
- 1 DIN 7991 M6x20 screw.

Set for 8 slot:

- 1 T-connector plate D30.
- 1 Double slot key - slot 8 - 2x M6.
- 2 DIN 7991 M6x14 screws.
- 1 DIN 7991 M6x20 screw.

Drawings



Connector plates Ø30 type I

Overview of items

Connector plates Ø30 type I

Order No.	Profile	Slot width	ESD electrostatic discharging
K1991.3006	Ø30	6	yes
K1991.3008	Ø30	8	yes