

Ball butt connector Ø30 type I with rotation lock

Item description/product images



Description

Material:

Die-cast aluminium.
Mounting parts steel.

Version:

Bright.
Mounting parts electro zinc-plated.

Note:

Suitable for round tubes and profile tubes with 30 mm OD.

For variable connections. The cross ball connector can be swivelled through 180°. This makes it suitable for connections in any spatial arrangement. It enables robust end face joints of two tubes or profile tubes. With the ball sitting in a ball seat, the connector can be rotated into the desired position and secured with a single screw.

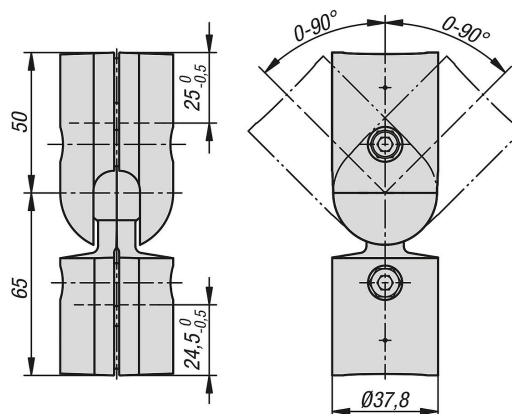
The ball butt connector has an integrated, high-load rotation lock. It ensures exact and permanent alignment of Ø30 profile tubes. If required, the rotation locks can be removed using a flat-blade screwdriver. This is necessary to secure Ø30 round tubes in the ball butt connector.

Supplied with:

2 Ball connector half ball ends.
2 Ball connector half ball seats.
2 DIN EN ISO 4762 (DIN 912) M6x30 screws, electro zinc-plated.
2 ISO 10511 M6 self-locking nuts, electro zinc-plated.

Articles are supplied pre-assembled.

Drawings



Overview of items

Ball butt connector Ø30 type I with rotation lock

Ball butt connector Ø30 type I with rotation lock**Overview of items**

Order No.	Profile	ESD electrostatic discharging	Matching end cap KIPP
K1989.301	Ø30	yes	K1990.301