

Ball cross connector Ø30 type I with rotation lock

Item description/product images



Description

Material:

Die-cast aluminium.
Mounting parts steel.

Version:

Bright.
Mounting parts electro zinc-plated.

Note:

Suitable for profile tubes with 30 mm OD.

For variable cross connections. The cross ball connector can be swivelled through 180°. This makes it suitable for connections in any spatial arrangement. It enables robust joints of crossing profile tubes. With the ball sitting in a ball seat, the connector can be rotated into the desired position and secured with a single screw.

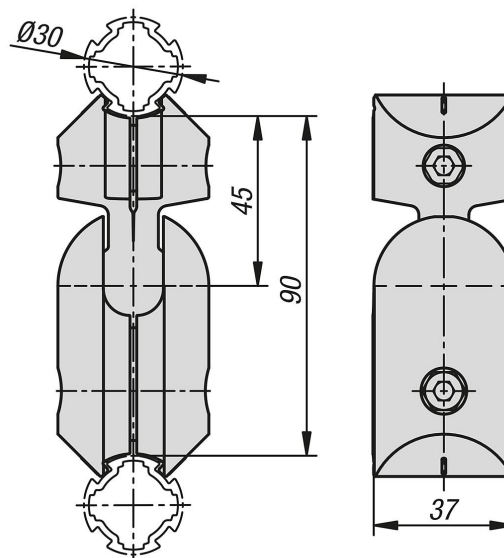
The cross ball connector enable can also be retrofitted to existing constructions in order to reinforce or extend them.

Supplied with:

- 2 Ball connector half ball ends.
- 2 Ball connector half ball seats.
- 2 DIN EN ISO 4762 (DIN 912) M6x28 screws, electro zinc-plated.
- 2 ISO 10511 M6 self-locking nuts, electro zinc-plated.

Articles are supplied pre-assembled.

Drawings



Overview of items

Cross ball connector Ø30 type I with rotation lock

Ball cross connector Ø30 type I with rotation lock**Overview of items**

Order No.	Profile	ESD electrostatic discharging	Matching end cap KIPP
K1988.30	Ø30	yes	K1990.301