

## Angle strut 90° Ø30 type I

### Item description/product images



### Description

**Material:**

Die-cast aluminium.  
Mounting parts steel.

**Version:**

Bright.  
Mounting parts electro zinc-plated.

**Note:**

Suitable for profile tubes with 30 mm OD.

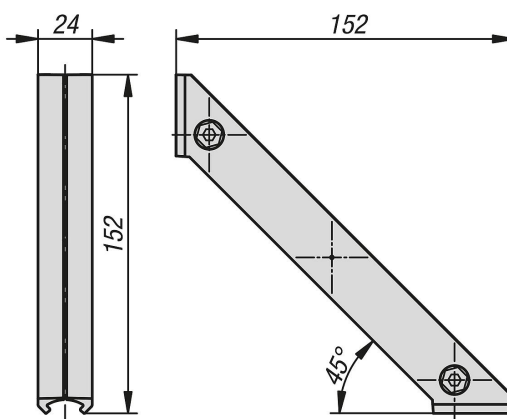
For creating a reinforcing brace for two profile tubes. Ideal for lattice constructions and use as diagonal struts for stiffening constructions. The two connector halves enable the angle struts to also be retrofitted to existing constructions in order to stiffen them.

**Supplied with:**

2 Angle strut halves 90°.  
2 DIN EN ISO 4762 (DIN 912) M6x14 screws, electro zinc-plated.  
2 ISO 10511 M6 self-locking nuts, electro zinc-plated.

Articles are supplied pre-assembled.

### Drawings



### Overview of items

#### Angle strut 90° Ø30 type I

Order No.	Profile	ESD electrostatic discharging	Matching end cap KIPP
K1985.30	Ø30	yes	K1990.302

