

Connector 45° Ø30 type I with rotation lock

Item description/product images



Description

Material:

Die-cast aluminium.
Mounting parts steel.

Version:

Bright.
Mounting parts electro zinc-plated.

Note:

Suitable for round tubes and profile tubes with 30 mm OD.

For 45° joints. Ideal for lattice constructions and use as diagonal struts for stiffening constructions.

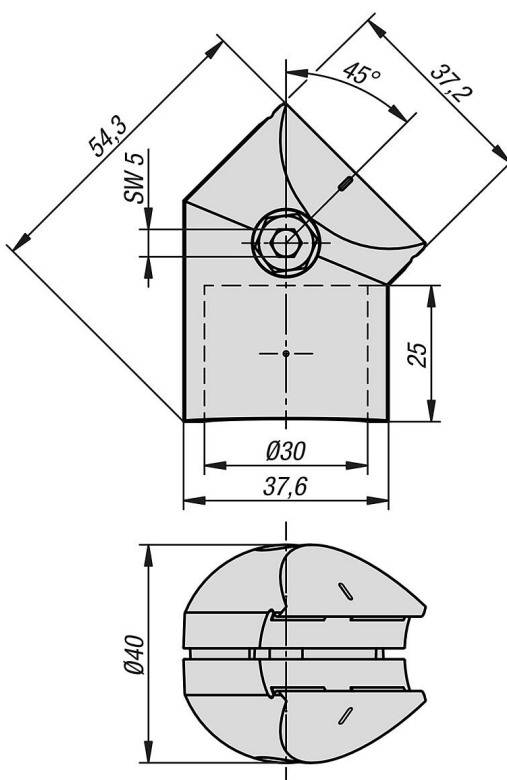
The 45° connector has an integrated, high-load rotation lock. It ensures exact and permanent alignment of Ø30 profile tubes. If required, the rotation locks can be removed using a flat-blade screwdriver. This is necessary to secure Ø30 round tubes in the 45° connector.

Supplied with:

2 45° connector halves.
1 DIN EN ISO 4762 (DIN 912) M6x28 screw, electro zinc-plated.
1 ISO 10511 M6 self-locking nut, electro zinc-plated.

Articles are supplied pre-assembled.

Drawings



Connector 45° Ø30 type I with rotation lock**Overview of items**

Connector 45° Ø30 type I with rotation lock

| Order No. | Profile | ESD electrostatic discharging | Matching end cap KIPP |
|-----------|---------|-------------------------------------|-----------------------------|
| K1984.301 | Ø30 | yes | K1990.301 |