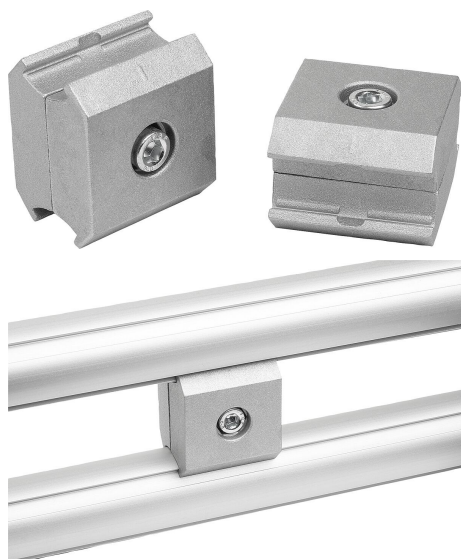


Parallel connector Ø30 type I

Item description/product images



Description

Material:
Die-cast aluminium.
Mounting parts steel.

Version:
Bright.
Mounting parts electro zinc-plated.

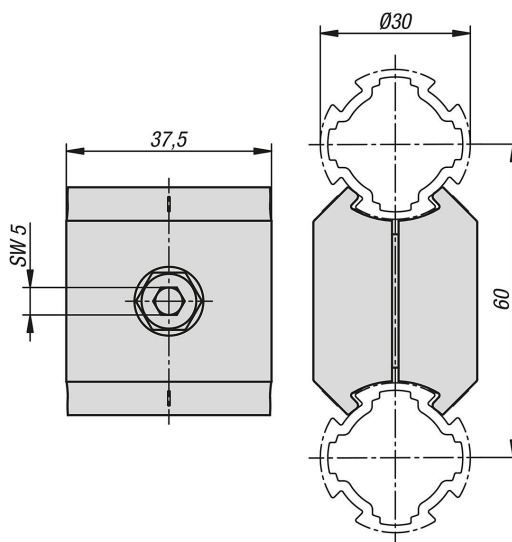
Note:
Suitable for profile tubes with 30 mm OD.

For parallel joints. The pre-assembled parallel connector can be positioned and tightened directly on the Ø30 profile tubes. The two connector halves enable the parallel connectors to also be retrofitted to existing constructions in order to reinforce or extend them.

Supplied with:
2 Parallel connector halves.
1 DIN EN ISO 4762 (DIN 912) M6x20 screw, electro zinc-plated.
1 ISO 10511 M6 self-locking nut, electro zinc-plated.

Articles are supplied pre-assembled.

Drawings



Overview of items

Parallel connector Ø30 type I

Order No.	Profile	ESD electrostatic discharging	Matching end cap KIPP
K1983.3060	Ø30	yes	K1990.301

