

## Cross connector Ø30 type I

### Item description/product images



### Description

**Material:**  
Die-cast aluminium.  
Mounting parts steel.

**Version:**  
Bright.  
Mounting parts electro zinc-plated.

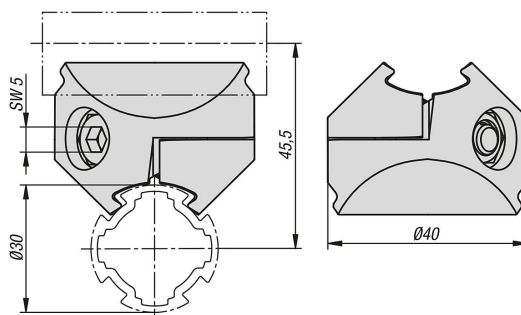
**Note:**  
Suitable for profile tubes with 30 mm OD.

For cross connections at 90° angles. The pre-assembled cross connector can be positioned and tightened directly on the Ø30 profile tubes. The two connector halves enable the cross connectors to also be retrofitted to existing constructions in order to reinforce or extend them.

**Supplied with:**  
2 Cross connector halves.  
1 DIN EN ISO 4762 (DIN 912) M6x28 screw, electro zinc-plated.  
1 ISO 10511 M6 self-locking nut, electro zinc-plated.

Articles are supplied pre-assembled.

### Drawings



### Overview of items

#### Cross connector Ø30 type I

Order No.	Profile	ESD electrostatic discharging	Matching end cap KIPP
K1982.30	Ø30	yes	K1990.301