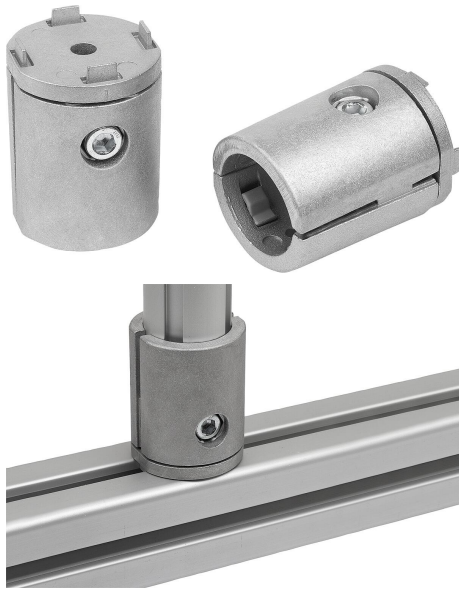


T connector Ø30 with connection to type I slot 8 with rotation lock

Item description/product images



Description

Material:

Die-cast aluminium.
Mounting parts steel.

Version:

Bright.
Mounting parts electro zinc-plated.

Note:

Suitable for round tubes and profile tubes with 30 mm OD.

For right-angle joints. The T-connectors can be used to combine round tubes and profile tubes with type I 8 slot aluminium profiles. The adapter plate is screwed, rotation-locked to the 8 slot of the aluminium profile. Two of the four rotation locks need to be removed for this.

The T-connector with connection for 8 slots has an integrated, high-load rotation lock. It ensures exact and permanent alignment of Ø30 profile tubes. If required, the rotation locks can be removed using a flat-blade screwdriver. This is necessary to secure Ø30 round tubes in the T-connector.

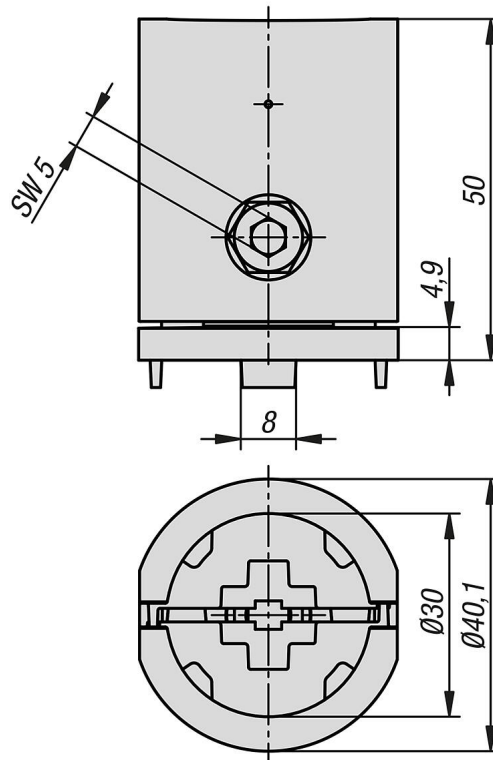
Supplied with:

2 T-connector halves
1 Adapter plate
1 DIN EN ISO 4762 (DIN 912) M6x28 screw, electro zinc-plated.
1 ISO 10511 M6 self-locking nut, electro zinc-plated.

Articles are supplied pre-assembled.

T connector Ø30 with connection to type I slot 8 with rotation lock

Drawings



Overview of items

T connector Ø30 with connection to type I slot 8 with rotation lock

Order No.	Profile	ESD electrostatic discharging	Matching end cap KIPP
K1981.301	Ø30	yes	K1990.301