

## T connector Ø30 type I with rotation lock

### Item description/product images



### Description

#### Material:

Die-cast aluminium.  
Mounting parts steel.

#### Version:

Bright.  
Mounting parts electro zinc-plated.

#### Note:

Suitable for round tubes and profile tubes with 30 mm OD.

For right-angle joints. The T-connector has an integrated, high-load rotation lock. It ensures exact and permanent alignment of Ø30 profile tubes. If required, the rotation locks can be removed using a flat-blade screwdriver. This is necessary to secure Ø30 round tubes in the T-connector.

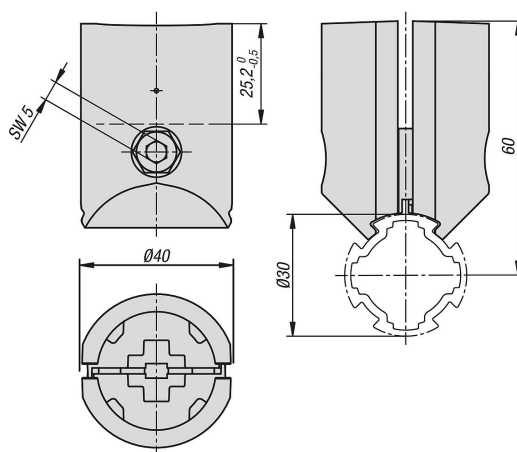
In addition, the T-connector has a small slit in the side that can be used to check the insertion depth of the tubes.

#### Supplied with:

2 T-connector halves  
1 DIN EN ISO 4762 (DIN 912) M6x28 screw, electro zinc-plated.  
1 ISO 10511 M6 self-locking nut, electro zinc-plated.

Articles are supplied pre-assembled.

### Drawings



### Overview of items

#### T connector Ø30 type I with rotation lock

Order No.	Profile	ESD electrostatic discharging	Matching end cap KIPP
K1980.301	Ø30	yes	K1990.301

