

Replacement screw for cam screws

Item description/product images



Description

Material:

Cam screw carbon steel.

Note:

Replacement screw for fixture clamps and cam screws.

Accessory:

Machinable fixture clamps K0022.

Clamping cams K1694.

Unequal hexagon fixture clamps K0023.

Cam screws with knife edge washer K0025.

Cam screws with hexagon washer K0026.

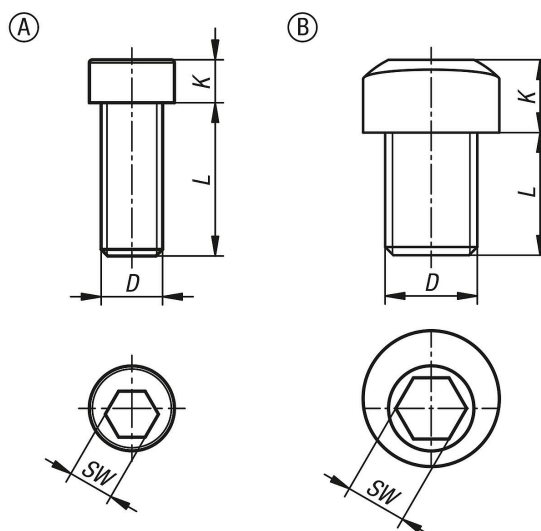
Cam screws with hexagon washer for T-slots K0027.

Toe clamps for T-slots K0029

Toe clamps with adjustable riser K0031.

Toe clamps compact k0036.

Drawings



Overview of items

Replacement screw for cam screws

| Order No. | Form | D | K | L=thread length | SW |
|------------|------|-----|-----|-----------------|----|
| K1969.0410 | A | M4 | 2,8 | 10 | 3 |
| K1969.0612 | A | M6 | 4 | 12 | 4 |
| K1969.0815 | A | M8 | 4,8 | 15 | 5 |
| K1969.1013 | A | M10 | 5,5 | 11,5 | 7 |
| K1969.1020 | A | M10 | 6,4 | 20 | 7 |
| K1969.1624 | A | M16 | 9,7 | 25 | 12 |
| K1969.1630 | A | M16 | 9,7 | 30 | 12 |
| K1969.1216 | B | M12 | 6,6 | 16 | 8 |
| K1969.1225 | B | M12 | 6,3 | 25 | 8 |

