

Washers DIN 7349 for bolts with heavy-duty clamping sleeves

Item description/product images



Description

Material:

Steel, stainless steel A2 or stainless steel A4.

Version:

Steel electro zinc-plated or bright.

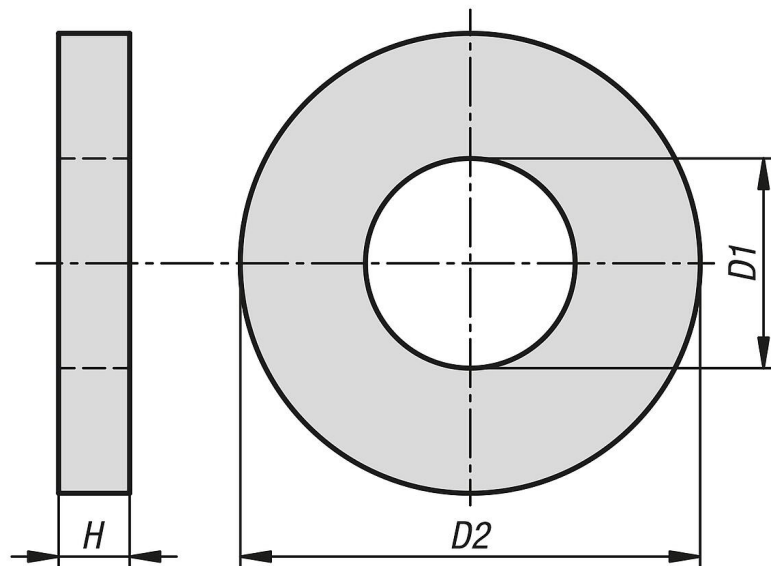
Stainless steel A2, bright.

Stainless steel A4, bright.

Note:

Washers for bolts with heavy-duty dowels are DIN standard washers. They are suitable for bolts that are machined with heavy-duty dowels, as they are exceptionally thick.

Drawings



Overview of items

Washers DIN 7349 for bolts with heavy-duty clamping sleeves

Order No.	Main material	Surface finish body	D1	D2	H	for screws
K1968.030	steel	bright	3,2	9	1	M3
K1968.040	steel	bright	4,3	12	1,6	M4
K1968.050	steel	bright	5,3	15	2	M5
K1968.060	steel	bright	6,4	17	3	M6
K1968.080	steel	bright	8,4	21	4	M8
K1968.100	steel	bright	10,5	25	4	M10
K1968.120	steel	bright	13	30	6	M12
K1968.140	steel	bright	15	36	6	M14
K1968.160	steel	bright	17	40	6	M16
K1968.180	steel	bright	19	44	8	M18
K1968.200	steel	bright	21	44	8	M20
K1968.220	steel	bright	23	50	8	M22
K1968.240	steel	bright	25	50	10	M24
K1968.270	steel	bright	28	60	10	M27

Washers DIN 7349 for bolts with heavy-duty clamping sleeves

Overview of items

Order No.	Main material	Surface finish body	D1	D2	H	for screws
K1968.300	steel	bright	31	68	10	M30
K1968.031	steel	galvanised	3,2	9	1	M3
K1968.041	steel	galvanised	4,3	12	1,6	M4
K1968.051	steel	galvanised	5,3	15	2	M5
K1968.061	steel	galvanised	6,4	17	3	M6
K1968.081	steel	galvanised	8,4	21	4	M8
K1968.101	steel	galvanised	10,5	25	4	M10
K1968.121	steel	galvanised	13	30	6	M12
K1968.141	steel	galvanised	15	36	6	M14
K1968.161	steel	galvanised	17	40	6	M16
K1968.181	steel	galvanised	19	44	8	M18
K1968.201	steel	galvanised	21	44	8	M20
K1968.221	steel	galvanised	23	50	8	M22
K1968.241	steel	galvanised	25	50	10	M24
K1968.271	steel	galvanised	28	60	10	M27
K1968.301	steel	galvanised	31	68	10	M30
K1968.1030	stainless steel A2	bright	3,2	9	1	M3
K1968.1040	stainless steel A2	bright	4,3	12	1,6	M4
K1968.1050	stainless steel A2	bright	5,3	15	2	M5
K1968.1060	stainless steel A2	bright	6,4	17	3	M6
K1968.1080	stainless steel A2	bright	8,4	21	4	M8
K1968.1100	stainless steel A2	bright	10,5	25	4	M10
K1968.1120	stainless steel A2	bright	13	30	6	M12
K1968.1140	stainless steel A2	bright	15	36	6	M14
K1968.1160	stainless steel A2	bright	17	40	6	M16
K1968.1180	stainless steel A2	bright	19	44	8	M18
K1968.1200	stainless steel A2	bright	21	44	8	M20
K1968.1220	stainless steel A2	bright	23	50	8	M22
K1968.1240	stainless steel A2	bright	25	50	10	M24
K1968.6080	stainless steel A4	bright	8,4	21	4	M8
K1968.6100	stainless steel A4	bright	10,5	25	4	M10
K1968.6120	stainless steel A4	bright	13	30	6	M12
K1968.6160	stainless steel A4	bright	17	40	6	M16
K1968.6200	stainless steel A4	bright	21	44	8	M20
K1968.6240	stainless steel A4	bright	25	50	10	M24