

Pull handles, stainless steel with seal washer in Hygienic DESIGN

Item description/product images



Description

Product description:

The Hygienic DESIGN pull handle was specially developed for use in food-processing facilities. Special emphasis has been placed on the cleaning-optimised geometry and a surface finish of $Ra \leq 0.8 \mu\text{m}$. The replaceable sealing rings round off the overall package.

Material:

Pull handles stainless steel 1.4404.

Sealing washer EU10/2011 and FDA conform thermoplastic (POM, fibreglass reinforced).

Version:

Pull handle polished stainless steel.

Sealing washer RAL5002 - ultramarine blue.

Note:

The contact face for the sealing ring must ideally be flat and perpendicular to the threaded hole and have a surface finish of $Ra \leq 0.8 \mu\text{m}$.

Sealing ring is unsuitable for acidic cleaning ($\text{pH} < 4$) and oxidising agents.

Temperature range:

-20 °C to +100 °C (POM).

Assembly:

From the rear.

Advantages:

Foodstuff conform material.

Cleaning optimised geometry.

Attention:

The suitability of the Hygienic DESIGN pull handles for the respective application must be checked by the user. Depending on the loads and external influences (temperature, cleaning media, product media), the sealing washer should be inspected regularly and replaced if necessary.

Supplied with:

Pull handle with two sealing washers.

Accessory:

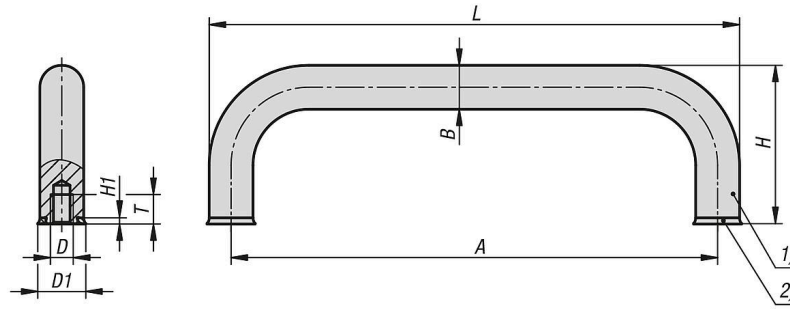
Sealing washer K1649.

Drawing reference:

- 1) Pull handle
- 2) Sealing washer

Pull handles, stainless steel with seal washer in Hygienic DESIGN

Drawings



Overview of items

Pull handles, stainless steel with seal washer in Hygienic DESIGN

Order No.	A	B	D	D1	H	H1	L	T	Load capacity N
K1962.111004120	120	10	M4	11,25	45	2	131,25	8	500
K1962.111004200	200	10	M4	11,25	45	2	211,25	8	500
K1962.111004300	300	10	M4	11,25	45	2	311,25	8	500
K1962.111205120	120	12	M5	13,25	50	2	133,25	10	1000
K1962.111205200	200	12	M5	13,25	50	2	213,25	10	1000
K1962.111205300	300	12	M5	13,25	50	2	431,25	10	1000