

Screw rest with flat face and magnetic foot, aluminium

Item description/product images



Description

Material:

Aluminium (400 N/mm² tensile strength).
Spindle carbon steel.

Version:

Self-locking trapezoidal thread, spindle has end lock.

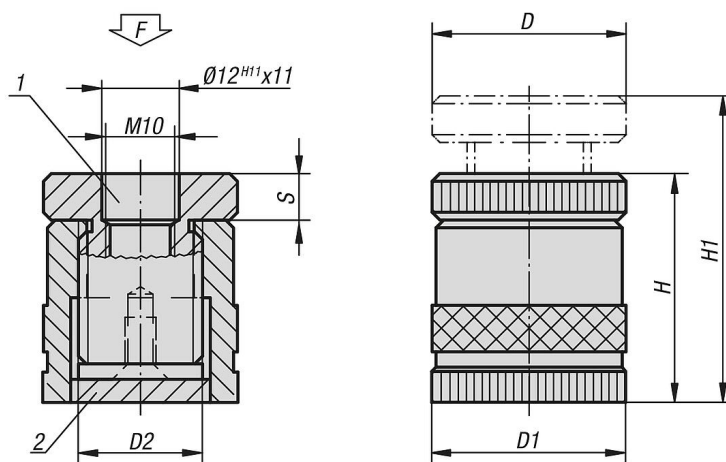
Note:

Suitable for horizontal and vertical applications. The magnetic foot allows durable and accurate vertical positioning of the workpiece.

Drawing reference:

- 1) centring hole for K1961
- 2) magnetic foot

Drawings



Overview of items

Screw rest with flat top and magnetic foot, aluminium

Order No.	D	D1	D2	H	H1	S	F max. kN
K1944.01	50	50	Tr 30X4	52	62	12	30
K1944.02	50	50	Tr 30X4	60	80	12	30
K1944.03	50	50	Tr 30X4	80	110	12	30

