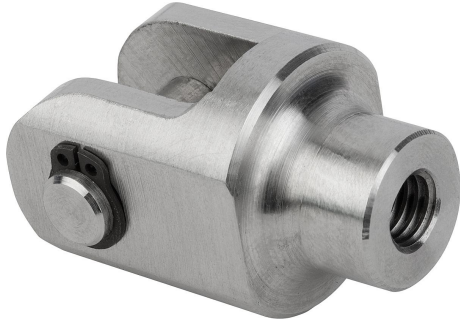


Clevis joints for rod ends stainless steel

Item description/product images



Description

Material:

Clevis and pins stainless steel 1.4305.

Version:

Bright.

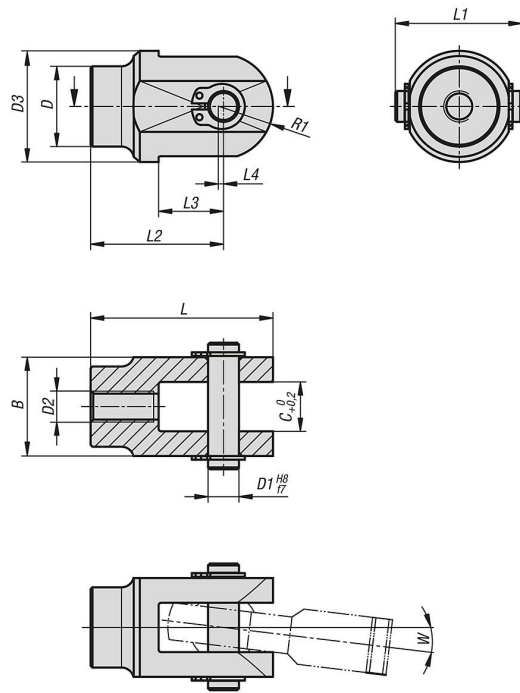
Note:

These clevises were developed as accessories for rod ends. The clevis opening size C was chosen to accept rod end joints.

Suitable for rod ends K0720 and K0721.

Clevis joints for rod ends stainless steel

Drawings



Overview of items

Clevis joints for Rod ends, stainless steel

Order No.	B	C	D	D1	D2	D3	L	L1	L2	L3	L4	R1	W°	F static kN
K1935.05080516	16	8	13	5	M5	18	29,5	20,5	21,5	10,5	0,5	8,5	6,5	8
K1935.06090618	18	9	15	6	M6	20	33,5	22,9	25	11,5	0,5	9	7	9
K1935.08120820	20	12	17	8	M8	24	41	24,9	31,5	13,5	1	10,5	8	14,5
K1935.10141025	25	14	21	10	M10	28	49,5	30,3	38	16	1	12,5	8	19,5
K1935.12161229	29	16	25	12	M12	32	57,5	34,3	44	18	1,5	15	8	23,5
K1935.16211638	38	21	30	16	M16	42	76,5	43,3	58	23,5	1,5	20	9	32
K1935.20252045	45	25	38	20	M20	50	90,5	51,9	68	29,5	-	22,5	9	43