

O-shaped mounts steel with external thread both sides

Item description/product images



Description

Material:

Metal parts, steel, grade 5.6.

Elastomer natural rubber, medium hardness, Shore 57A.

Version:

Steel electro zinc-plated.

Note:

O-shaped mounts have a very soft spring characteristic, which is why they are also called low-frequency supports. They serve for low-vibration support of instruments, and electrical components, as well as for mounting light assemblies and precision mechanical equipment.

Due to the material composition, rubber buffers are contact-colouring, which can lead to abrasion marks and discolouration on e.g. floors or contact surfaces.

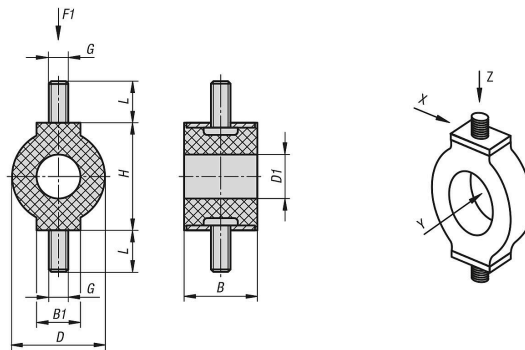
Rubber buffers made of light grey EPDM that are not contact-colouring are available on request.

The spring characteristic of the O-shaped mounts increases in the order X, Y and Z. The main load direction is the longitudinal axis of the threaded pins (Z direction).

Temperature range:

-30 °C to +80 °C

Drawings



Overview of items

O-shaped Mounts

Order No.	B	B1	D	D1	G	H	L	F1 N
K1933.01201257	9,5	9,5	10	6	M4	12,5	10	8
K1933.01401757	13	6	14	6	M4	17	10	18
K1933.02503057	20	12	25	12	M5	30	10	55

