

## Reducer sleeves

### Item description/product images



### Description

**Material:**  
Stainless steel

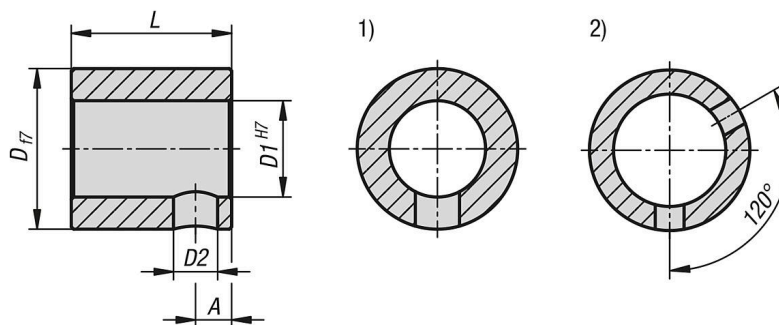
**Version:**  
Bright.

**Note:**  
Reducer sleeves are used to change the diameter between the hollow shaft sensor and adjustment spindle.

**Suitable for:**  
Hollow shaft sensors K1926

**Drawing reference:**  
1) one hole  
2) two holes

### Drawings



### Overview of items

#### Reducing bushings

Order No.	A	D	D1	D2	L	No. of holes
K1927.111006	2,5	10	6	3,2	14	1
K1927.111008	2,5	10	8	3,2	14	1
K1927.111406	3,5	14	6	4,2	17	1
K1927.111408	3,5	14	8	4,2	17	1
K1927.111410	3,5	14	10	4,2	17	1
K1927.111412	3,5	14	12	4,2	17	1
K1927.112006	4,5	20	6	5,5	20	1
K1927.112008	4,5	20	8	5,5	20	1
K1927.112010	4,5	20	10	5,5	20	1
K1927.112012	3	20	12	3,6	20	1
K1927.112014	3	20	14	3,6	20	1
K1927.112016	3	20	16	3,6	20	1
K1927.112018	3	20	18	3,6	20	1
K1927.122012	3	20	12	3,6	20	2
K1927.122014	3	20	14	3,6	20	2
K1927.122016	3	20	16	3,6	20	2
K1927.122018	3	20	18	3,6	20	2

