

Locating bushes for ball lifting pins stainless steel, flat

Item description/product images



Description

Material:

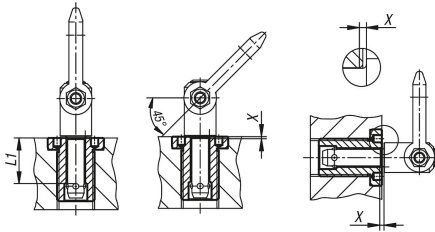
Stainless steel 1.4542.

Version:

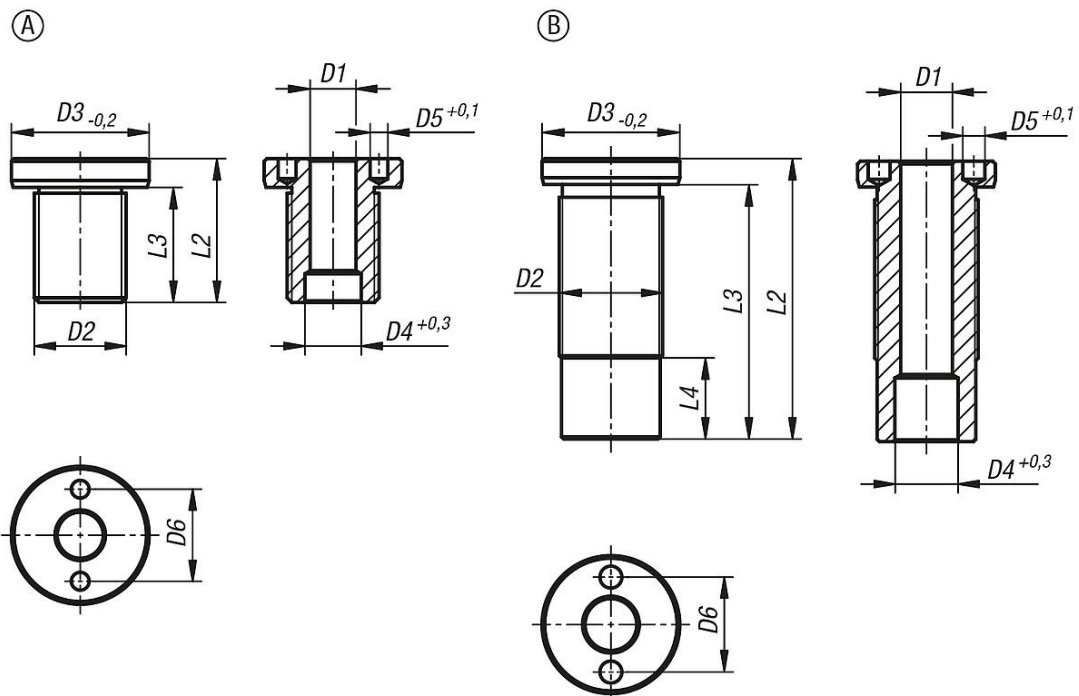
Hardened.

Note:

The locating bushes offer a safe and quick option for holding the ball lifting pins. They ensure that installation in a range of supporting materials can be carried out easily and reliably. Can also be used with thin-walled parts and blind holes. This version is suitable for applications which require a flat surface after having been screwed in. They are corrosion-resistant and do not wear easily.



Drawings



Overview of items

Locating bushes for ball lifting pins stainless steel, flat

Locating bushes for ball lifting pins stainless steel, flat

Overview of items

| Order No. | Form | D1 | D2 | D3 | D4 | D5 | D6 | L1 | L2 | L3 | L4 | X | Tightening torque Nm |
|-------------|------|----|---------|----|------|-----|----|----|----|----|------|-----|----------------------|
| K1921.10810 | A | 8 | M16x1,5 | 24 | 9,8 | 3,1 | 16 | 10 | 25 | 20 | - | 1,5 | 75 |
| K1921.10815 | A | 8 | M16x1,5 | 24 | 9,8 | 3,1 | 16 | 15 | 25 | 20 | - | 1,5 | 75 |
| K1921.10825 | A | 8 | M16 | 24 | 9,8 | 3,1 | 16 | 25 | 35 | 30 | - | 1,5 | 75 |
| K1921.10835 | A | 8 | M16 | 24 | 9,8 | 3,1 | 16 | 35 | 45 | 40 | - | 1,5 | 75 |
| K1921.11015 | A | 10 | M20x1,5 | 28 | 12,2 | 5,1 | 20 | 15 | 30 | 24 | - | 1,5 | 100 |
| K1921.11025 | A | 10 | M20x1,5 | 28 | 12,2 | 5,1 | 20 | 25 | 35 | 29 | - | 1,5 | 100 |
| K1921.11035 | A | 10 | M20 | 28 | 12,2 | 5,1 | 20 | 35 | 45 | 39 | - | 1,5 | 100 |
| K1921.11050 | A | 10 | M20 | 28 | 12,2 | 5,1 | 20 | 50 | 60 | 54 | - | 1,5 | 100 |
| K1921.11215 | A | 12 | M24x1,5 | 32 | 14,7 | 5,1 | 22 | 15 | 32 | 26 | - | 1,5 | 150 |
| K1921.11225 | A | 12 | M24x1,5 | 32 | 14,7 | 5,1 | 22 | 25 | 40 | 34 | - | 1,5 | 150 |
| K1921.11625 | A | 16 | M30x2 | 39 | 19,2 | 5,1 | 30 | 25 | 45 | 39 | - | 1,5 | 200 |
| K1921.11235 | B | 12 | M24 | 32 | 14,7 | 5,1 | 22 | 35 | 50 | 44 | 3,8 | 1,5 | 150 |
| K1921.11250 | B | 12 | M24 | 32 | 14,7 | 5,1 | 22 | 50 | 65 | 59 | 18,8 | 1,5 | 150 |
| K1921.11650 | B | 16 | M30 | 39 | 19,2 | 5,1 | 30 | 50 | 65 | 59 | 6 | 1,5 | 200 |
| K1921.11675 | B | 16 | M30 | 39 | 19,2 | 5,1 | 30 | 75 | 90 | 84 | 31 | 1,5 | 200 |
| K1921.12050 | B | 20 | M36x2 | 43 | 26 | 5,1 | 30 | 50 | 70 | 63 | 3,5 | 1,5 | 200 |
| K1921.12075 | B | 20 | M36x2 | 43 | 26 | 5,1 | 30 | 75 | 95 | 88 | 28,5 | 1,5 | 200 |