

Ball-end thrust screws without head short version

Item description/product images



Description

Material:

Screw carbon steel, ball ball-bearing steel.

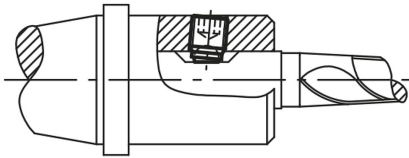
Version:

Screw grade 12.9, black oxidised.

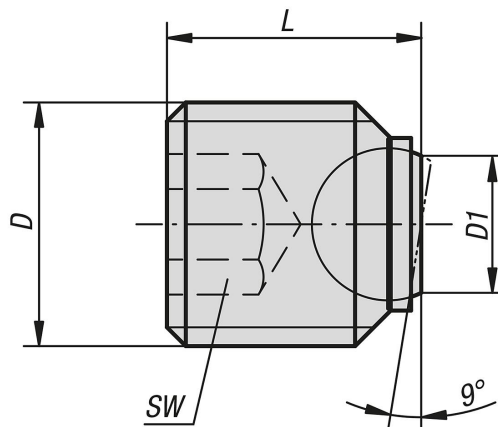
Ball hardened, bright.

Note:

Short ball-end thrust screws are particularly suited to DIN 1835 E straight milling cutter shanks together with e.g. Whistle Notch or Weldon tool holders.



Drawings



Overview of items

Ball-end thrust screws without head, short version

| Order No. | D | D1 | L | Ball-Ø | SW | Load rating max. kN (static load only) |
|------------|-------|------|----|--------|----|--|
| K1913.1416 | M14 | 7,2 | 16 | 8,5 | 6 | 30 |
| K1913.1616 | M16 | 7,2 | 16 | 8,5 | 8 | 30 |
| K1913.1820 | M18X2 | 10,7 | 20 | 12 | 10 | 60 |
| K1913.2020 | M20X2 | 10,7 | 20 | 12 | 10 | 60 |
| K1913.2025 | M20X2 | 10,7 | 25 | 12 | 10 | 60 |
| K1913.2425 | M24x2 | 13,5 | 25 | 15 | 12 | 90 |

