

## Metal bellows couplings, short type, for high torques with clamp hubs

### Item description/product images



### Description

**Material:**

Hub aluminium.  
Bellows stainless steel.

**Version:**

Bright.

**Note:**

Metal bellows coupling with high torsional rigidity. The metal bellows compensates for axial, radial and angular shaft misalignment with low restoring forces. With clamping hubs for fastening to shafts.

They are primarily used when precise position and motion transmission is required, e.g. servo motors in machine tools, packaging machines, woodworking machines and in automation technology.

Contrary to the drawing, the size 200 has only a double bellows.

**Temperature range:**

-30 °C to +120 °C.

**Assembly:**

The metal bellows coupling hubs have an H7 tolerance. The recommended clearance tolerance is 0.02 - 0.05 mm. This tolerance and lubricating the shaft journals aid assembly and removal.

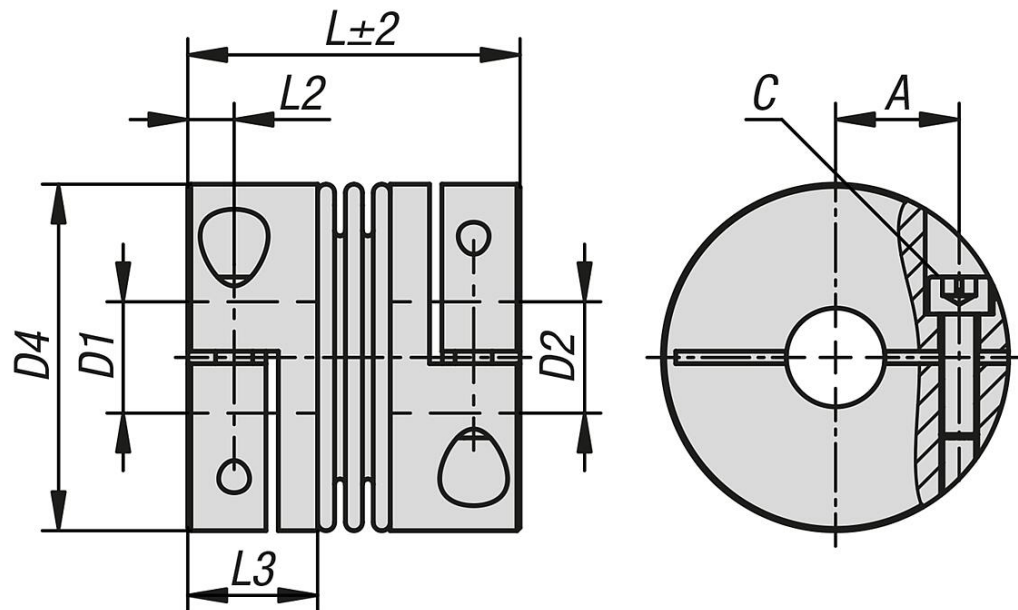
The metal bellows may be deformed max. 3 times over the permissible deflection values specified in the catalogue during assembly and removal. Avoid any use of force.

**On request:**

Desired hub holes D1 and D2 separately with tolerance class or tolerance zone.  
Keyway acc. to DIN 6885. Please observe largest possible bore by keyway.

# Metal bellows couplings, short type, for high torques with clamp hubs

## Drawings



## Overview of items

### Metal bellows couplings, short type, for high torques, with clamp hubs

Order No.	Size	Nominal torque Nm	Moment of inertia (gm <sup>2</sup> )	Torsional stiffness (10 <sup>3</sup> Nm/rad)	Spring stiffness radial (N/mm)	Spring stiffness axial N/mm
K1885.00100350606	10	10	0,008	9	1518	63
K1885.00100350808	10	10	0,008	9	1518	63
K1885.00100351010	10	10	0,008	9	1518	63
K1885.00100351212	10	10	0,008	9	1518	63
K1885.00100351515	10	10	0,008	9	1518	63
K1885.00100351818	10	10	0,008	9	1518	63
K1885.00200390606	20	20	0,02	15	1208	65
K1885.00200390808	20	20	0,02	15	1208	65
K1885.00200391010	20	20	0,02	15	1208	65
K1885.00200391212	20	20	0,02	15	1208	65
K1885.00200391515	20	20	0,02	15	1208	65
K1885.00200391818	20	20	0,02	15	1208	65
K1885.00400461010	40	40	0,04	35	3350	97
K1885.00400461212	40	40	0,04	35	3350	97
K1885.00400461515	40	40	0,04	35	3350	97
K1885.00400461818	40	40	0,04	35	3350	97
K1885.00400462020	40	40	0,04	35	3350	97
K1885.00400462424	40	40	0,04	35	3350	97
K1885.00800551212	80	80	0,14	53	6436	165
K1885.00800551515	80	80	0,14	53	6436	165
K1885.00800551818	80	80	0,14	53	6436	165
K1885.00800552020	80	80	0,14	53	6436	165
K1885.00800552424	80	80	0,14	53	6436	165
K1885.00800552828	80	80	0,14	53	6436	165
K1885.02000601616	200	200	0,28	138	12442	287
K1885.02000602020	200	200	0,28	138	12442	287
K1885.02000602424	200	200	0,28	138	12442	287
K1885.02000602828	200	200	0,28	138	12442	287
K1885.04000753232	400	400	0,82	176	6815	338
K1885.04000753838	400	400	0,82	176	6815	338

# Metal bellows couplings, short type, for high torques with clamp hubs

## Overview of items

Order No.	Size	Nominal torque Nm	Moment of inertia (gm <sup>2</sup> )	Torsional stiffness (10 <sup>3</sup> Nm/rad)	Spring stiffness radial (N/mm)	Spring stiffness axial N/mm
K1885.04000754242	400	400	0,82	176	6815	338
K1885.06500783737	650	650	1,19	230	7910	386
K1885.06500783838	650	650	1,19	230	7910	386
K1885.06500784242	650	650	1,19	230	7910	386
K1885.10000844242	1000	1000	2,74	579	29096	756
K1885.15000965050	1500	1500	4,45	693	20694	639

Order No.	max. shaft offset radial (mm)	max. shaft offset axial (mm)	max. angular offset (°)	max. rpm	A	C (ISO 4029)
K1885.00100350606	0,05	0,5	0,5	15000	12	M4
K1885.00100350808	0,05	0,5	0,5	15000	12	M4
K1885.00100351010	0,05	0,5	0,5	15000	12	M4
K1885.00100351212	0,05	0,5	0,5	15000	12	M4
K1885.00100351515	0,05	0,5	0,5	15000	12	M4
K1885.00100351818	0,05	0,5	0,5	15000	12	M4
K1885.00200390606	0,05	0,5	0,5	15000	15,5	M4
K1885.00200390808	0,05	0,5	0,5	15000	15,5	M4
K1885.00200391010	0,05	0,5	0,5	15000	15,5	M4
K1885.00200391212	0,05	0,5	0,5	15000	15,5	M4
K1885.00200391515	0,05	0,5	0,5	15000	15,5	M4
K1885.00200391818	0,05	0,5	0,5	15000	15,5	M4
K1885.00400461010	0,05	0,5	0,5	12800	17	M5
K1885.00400461212	0,05	0,5	0,5	12800	17	M5
K1885.00400461515	0,05	0,5	0,5	12800	17	M5
K1885.00400461818	0,05	0,5	0,5	12800	17	M5
K1885.00400462020	0,05	0,5	0,5	12800	17	M5
K1885.00400462424	0,05	0,5	0,5	12800	17	M5
K1885.00800551212	0,05	0,5	0,5	10300	20	M6
K1885.00800551515	0,05	0,5	0,5	10300	20	M6
K1885.00800551818	0,05	0,5	0,5	10300	20	M6
K1885.00800552020	0,05	0,5	0,5	10300	20	M6
K1885.00800552424	0,05	0,5	0,5	10300	20	M6
K1885.00800552828	0,05	0,5	0,5	10300	20	M6
K1885.02000601616	0,1	1	0,5	8700	23	M8
K1885.02000602020	0,1	1	0,5	8700	23	M8
K1885.02000602424	0,1	1	0,5	8700	23	M8
K1885.02000602828	0,1	1	0,5	8700	23	M8
K1885.04000753232	0,1	1	0,5	6900	28	M10
K1885.04000753838	0,1	1	0,5	6900	28	M10
K1885.04000754242	0,1	1	0,5	6900	28	M10
K1885.06500783737	0,1	1,5	1	6400	31	M12
K1885.06500783838	0,1	1,5	1	6400	31	M12
K1885.06500784242	0,1	1,5	1	6400	31	M12
K1885.10000844242	0,1	1,5	1	6000	40	M12
K1885.15000965050	0,1	1,5	1	5000	42	M12

Order No.	D1 (H7)	D2 (H7)	D1/D2 min.	D1/D2 max.	D1/D2 max. by keyway	D4	L	L2	L3	Tightening torque of screws Nm
K1885.00100350606	6	6	6	18	18	32,5	35	5	13	3,5
K1885.00100350808	8	8	6	18	18	32,5	35	5	13	3,5
K1885.00100351010	10	10	6	18	18	32,5	35	5	13	3,5
K1885.00100351212	12	12	6	18	18	32,5	35	5	13	3,5
K1885.00100351515	15	15	6	18	18	32,5	35	5	13	3,5
K1885.00100351818	18	18	6	18	18	32,5	35	5	13	3,5
K1885.00200390606	6	6	6	25	25	40,5	39	5	13,5	4,5
K1885.00200390808	8	8	6	25	25	40,5	39	5	13,5	4,5
K1885.00200391010	10	10	6	25	25	40,5	39	5	13,5	4,5
K1885.00200391212	12	12	6	25	25	40,5	39	5	13,5	4,5
K1885.00200391515	15	15	6	25	25	40,5	39	5	13,5	4,5

## Metal bellows couplings, short type, for high torques with clamp hubs

### Overview of items

Order No.	D1 (H7)	D2 (H7)	D1/D2 min.	D1/D2 max.	D1/D2 max. by keyway	D4	L	L2	L3	Tightening torque of screws Nm
K1885.00200391818	18	18	6	25	25	40,5	39	5	13,5	4,5
K1885.00400461010	10	10	10	25,4	25,4	45	46	5,5	17,5	8
K1885.00400461212	12	12	10	25,4	25,4	45	46	5,5	17,5	8
K1885.00400461515	15	15	10	25,4	25,4	45	46	5,5	17,5	8
K1885.00400461818	18	18	10	25,4	25,4	45	46	5,5	17,5	8
K1885.00400462020	20	20	10	25,4	25,4	45	46	5,5	17,5	8
K1885.00400462424	24	24	10	25,4	25,4	45	46	5,5	17,5	8
K1885.00800551212	12	12	12	32	30	56	55	7,3	21	15
K1885.00800551515	15	15	12	32	30	56	55	7,3	21	15
K1885.00800551818	18	18	12	32	30	56	55	7,3	21	15
K1885.00800552020	20	20	12	32	30	56	55	7,3	21	15
K1885.00800552424	24	24	12	32	30	56	55	7,3	21	15
K1885.00800552828	28	28	12	32	30	56	55	7,3	21	15
K1885.02000601616	16	16	16	35	35	66	60	8,6	23	40
K1885.02000602020	20	20	16	35	35	66	60	8,6	23	40
K1885.02000602424	24	24	16	35	35	66	60	8,6	23	40
K1885.02000602828	28	28	16	35	35	66	60	8,6	23	40
K1885.04000753232	32	32	32	44	44	82	75	9,8	27	84
K1885.04000753838	38	38	32	44	44	82	75	9,8	27	84
K1885.04000754242	42	42	32	44	44	82	75	9,8	27	84
K1885.06500783737	37	37	37	47	47	90	78	10,8	29	125
K1885.06500783838	38	38	37	47	47	90	78	10,8	29	125
K1885.06500784242	42	42	37	47	47	90	78	10,8	29	125
K1885.10000844242	42	42	42	60	60	110	84	11,8	32,5	145
K1885.15000965050	50	50	50	70	70	122	96	13,3	36	145