

## Metal bellows couplings with clamp hubs, stainless steel

### Item description/product images



### Description

#### Material:

Hub stainless steel.  
Bellows stainless steel.

#### Version:

Bright.

#### Note:

Metal bellows coupling with high torsional rigidity. The metal bellows compensates for axial, radial and angular shaft misalignment with low restoring forces. With clamping hubs for fastening to shafts.

They are primarily used when precise position and motion transmission is required, e.g. servo motors in machine tools, packaging machines, woodworking machines and in automation technology.

#### Temperature range:

-30 °C to +120 °C.

#### Assembly:

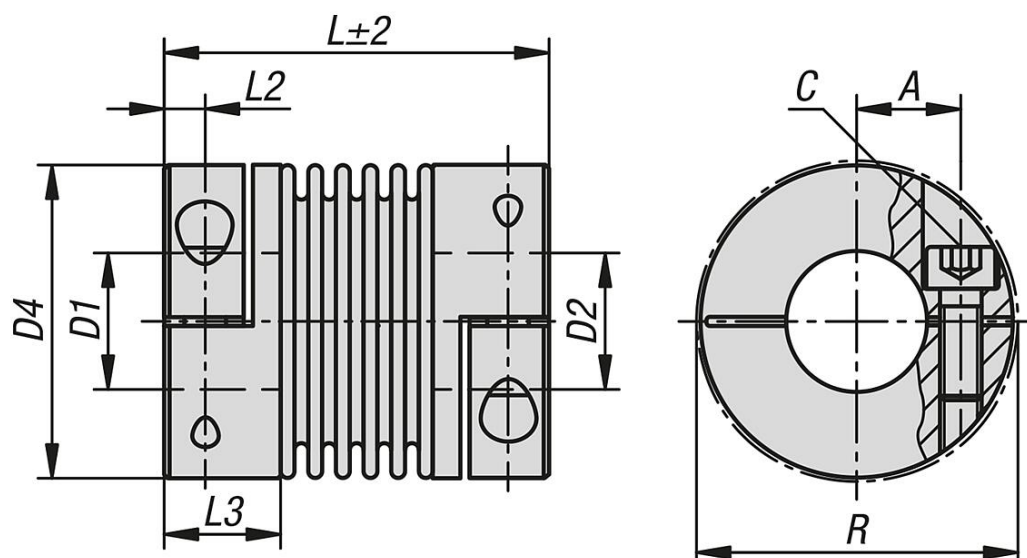
The metal bellows coupling hubs have an H7 tolerance. The recommended clearance tolerance is 0.02 - 0.05 mm. This tolerance and lubricating the shaft journals aid assembly and removal.

The metal bellows may be deformed max. 3 times over the permissible deflection values specified in the catalogue during assembly and removal. Avoid any use of force.

#### On request:

Desired hub holes D1 and D2 separately with tolerance class or tolerance zone. Keyway acc. to DIN 6885. Please observe largest possible bore by keyway.

### Drawings



## Metal bellows couplings with clamp hubs, stainless steel

### Overview of items

#### Metal bellows couplings with clamp hubs, stainless steel

Order No.	Size	Nominal torque Nm	Moment of inertia (gm <sup>2</sup> )	Torsional stiffness (10 <sup>3</sup> Nm/rad)	Spring stiffness radial (N/mm)	Spring stiffness axial N/mm
K1883.0180631010	18	18	0,11	20	205	50
K1883.0180631111	18	18	0,11	20	205	50
K1883.0180631212	18	18	0,11	20	205	50
K1883.0180631414	18	18	0,11	20	205	50
K1883.0180631919	18	18	0,11	20	205	50
K1883.0180632424	18	18	0,11	20	205	50
K1883.0180632525	18	18	0,11	20	205	50
K1883.0300651010	30	30	0,41	38	720	50
K1883.0300651111	30	30	0,41	38	720	50
K1883.0300651212	30	30	0,41	38	720	50
K1883.0300651414	30	30	0,41	38	720	50
K1883.0300651919	30	30	0,41	38	720	50
K1883.0300652424	30	30	0,41	38	720	50
K1883.0300652525	30	30	0,41	38	720	50
K1883.0600791212	60	60	0,91	75	1150	90
K1883.0600791414	60	60	0,91	75	1150	90
K1883.0600791919	60	60	0,91	75	1150	90
K1883.0600792424	60	60	0,91	75	1150	90
K1883.0600792525	60	60	0,91	75	1150	90
K1883.0600792828	60	60	0,91	75	1150	90
K1883.0600793232	60	60	0,91	75	1150	90
K1883.0800911414	80	80	2	128	1200	80
K1883.0800911919	80	80	2	128	1200	80
K1883.0800912424	80	80	2	128	1200	80
K1883.0800912525	80	80	2	128	1200	80
K1883.0800912828	80	80	2	128	1200	80
K1883.0800913232	80	80	2	128	1200	80
K1883.1500911919	150	150	2	155	2020	280
K1883.1500912424	150	150	2	155	2020	280
K1883.1500912525	150	150	2	155	2020	280
K1883.1500912828	150	150	2	155	2020	280
K1883.1500913232	150	150	2	155	2020	280
K1883.2001012222	200	200	3,3	175	2500	280
K1883.2001012424	200	200	3,3	175	2500	280
K1883.2001012525	200	200	3,3	175	2500	280
K1883.2001012828	200	200	3,3	175	2500	280
K1883.2001013232	200	200	3,3	175	2500	280
K1883.3001053030	300	300	7,3	502	6300	287
K1883.3001053838	300	300	7,3	502	6300	287
K1883.5001123535	500	500	12,4	690	7790	100
K1883.5001124242	500	500	12,4	690	7790	100

Order No.	max. shaft offset radial (mm)	max. shaft offset axial (mm)	max. angular offset (°)	max. rpm	A	C (ISO 4029)	D1 (H7)	D2 (H7)
K1883.0180631010	0,2	0,5	1,5	12800	17	M5	10	10
K1883.0180631111	0,2	0,5	1,5	12800	17	M5	11	11
K1883.0180631212	0,2	0,5	1,5	12800	17	M5	12	12
K1883.0180631414	0,2	0,5	1,5	12800	17	M5	14	14
K1883.0180631919	0,2	0,5	1,5	12800	17	M5	19	19
K1883.0180632424	0,2	0,5	1,5	12800	17	M5	24	24
K1883.0180632525	0,2	0,5	1,5	12800	17	M5	25	25
K1883.0300651010	0,15	0,6	1,5	10300	20	M6	10	10
K1883.0300651111	0,15	0,6	1,5	10300	20	M6	11	11
K1883.0300651212	0,15	0,6	1,5	10300	20	M6	12	12
K1883.0300651414	0,15	0,6	1,5	10300	20	M6	14	14
K1883.0300651919	0,15	0,6	1,5	10300	20	M6	19	19
K1883.0300652424	0,15	0,6	1,5	10300	20	M6	24	24

## Metal bellows couplings with clamp hubs, stainless steel

### Overview of items

Order No.	max. shaft offset radial (mm)	max. shaft offset axial (mm)	max. angular offset (°)	max. rpm	A	C (ISO 4029)	D1 (H7)	D2 (H7)
K1883.0300652525	0,15	0,6	1,5	10300	20	M6	25	25
K1883.0600791212	0,15	0,6	1,5	8700	23	M8	12	12
K1883.0600791414	0,15	0,6	1,5	8700	23	M8	14	14
K1883.0600791919	0,15	0,6	1,5	8700	23	M8	19	19
K1883.0600792424	0,15	0,6	1,5	8700	23	M8	24	24
K1883.0600792525	0,15	0,6	1,5	8700	23	M8	25	25
K1883.0600792828	0,15	0,6	1,5	8700	23	M8	28	28
K1883.0600793232	0,15	0,6	1,5	8700	23	M8	32	32
K1883.0800911414	0,2	0,5	1,5	6900	28	M10	14	14
K1883.0800911919	0,2	0,5	1,5	6900	28	M10	19	19
K1883.0800912424	0,2	0,5	1,5	6900	28	M10	24	24
K1883.0800912525	0,2	0,5	1,5	6900	28	M10	25	25
K1883.0800912828	0,2	0,5	1,5	6900	28	M10	28	28
K1883.0800913232	0,2	0,5	1,5	6900	28	M10	32	32
K1883.1500911919	0,2	0,5	1,5	6900	28	M10	19	19
K1883.1500912424	0,2	0,5	1,5	6900	28	M10	24	24
K1883.1500912525	0,2	0,5	1,5	6900	28	M10	25	25
K1883.1500912828	0,2	0,5	1,5	6900	28	M10	28	28
K1883.1500913232	0,2	0,5	1,5	6900	28	M10	32	32
K1883.2001012222	0,2	0,5	1,5	6400	31	M12	22	22
K1883.2001012424	0,2	0,5	1,5	6400	31	M12	24	24
K1883.2001012525	0,2	0,5	1,5	6400	31	M12	25	25
K1883.2001012828	0,2	0,5	1,5	6400	31	M12	28	28
K1883.2001013232	0,2	0,5	1,5	6400	31	M12	32	32
K1883.3001053030	0,2	0,5	1,5	6000	40	M12	30	30
K1883.3001053838	0,2	0,5	1,5	6000	40	M12	38	38
K1883.5001123535	0,2	0,5	1,5	5000	42	M12	35	35
K1883.5001124242	0,2	0,5	1,5	5000	42	M12	42	42

Order No.	D1/D2 min.	D1/D2 max.	D1/D2 max. by keyway	D4	L	L2	L3	R	Tightening torque of screws Nm
K1883.0180631010	10	25,4	25,4	45	63	5,5	19,5	47,4	8
K1883.0180631111	10	25,4	25,4	45	63	5,5	19,5	47,4	8
K1883.0180631212	10	25,4	25,4	45	63	5,5	19,5	47,4	8
K1883.0180631414	10	25,4	25,4	45	63	5,5	19,5	47,4	8
K1883.0180631919	10	25,4	25,4	45	63	5,5	19,5	47,4	8
K1883.0180632424	10	25,4	25,4	45	63	5,5	19,5	47,4	8
K1883.0180632525	10	25,4	25,4	45	63	5,5	19,5	47,4	8
K1883.0300651010	10	32	30	56	65	7,5	24,5	56,4	15
K1883.0300651111	10	32	30	56	65	7,5	24,5	56,4	15
K1883.0300651212	10	32	30	56	65	7,5	24,5	56,4	15
K1883.0300651414	10	32	30	56	65	7,5	24,5	56,4	15
K1883.0300651919	10	32	30	56	65	7,5	24,5	56,4	15
K1883.0300652424	10	32	30	56	65	7,5	24,5	56,4	15
K1883.0300652525	10	32	30	56	65	7,5	24,5	56,4	15
K1883.0600791212	12	35	35	66	79	10	29	66	40
K1883.0600791414	12	35	35	66	79	10	29	66	40
K1883.0600791919	12	35	35	66	79	10	29	66	40
K1883.0600792424	12	35	35	66	79	10	29	66	40
K1883.0600792525	12	35	35	66	79	10	29	66	40
K1883.0600792828	12	35	35	66	79	10	29	66	40
K1883.0600793232	12	35	35	66	79	10	29	66	40
K1883.0800911414	14	44	44	82	91	11	33,5	82,9	84
K1883.0800911919	14	44	44	82	91	11	33,5	82,9	84
K1883.0800912424	14	44	44	82	91	11	33,5	82,9	84
K1883.0800912525	14	44	44	82	91	11	33,5	82,9	84
K1883.0800912828	14	44	44	82	91	11	33,5	82,9	84
K1883.0800913232	14	44	44	82	91	11	33,5	82,9	84
K1883.1500911919	19	44	44	82	91	11	33,5	82,9	84
K1883.1500912424	19	44	44	82	91	11	33,5	82,9	84

## Metal bellows couplings with clamp hubs, stainless steel

### Overview of items

Order No.	D1/D2 min.	D1/D2 max.	D1/D2 max. by keyway	D4	L	L2	L3	R	Tightening torque of screws Nm
K1883.1500912525	19	44	44	82	91	11	33,5	82,9	84
K1883.1500912828	19	44	44	82	91	11	33,5	82,9	84
K1883.1500913232	19	44	44	82	91	11	33,5	82,9	84
K1883.2001012222	22	47	47	90	101	13	38	90,8	125
K1883.2001012424	22	47	47	90	101	13	38	90,8	125
K1883.2001012525	22	47	47	90	101	13	38	90,8	125
K1883.2001012828	22	47	47	90	101	13	38	90,8	125
K1883.2001013232	22	47	47	90	101	13	38	90,8	125
K1883.3001053030	30	60	60	110	105	13	38	110	145
K1883.3001053838	30	60	60	110	105	13	38	110	145
K1883.5001123535	35	70	70	122	112	15	42	122	145
K1883.5001124242	35	70	70	122	112	15	42	122	145