

Metal bellows couplings, mini with clamp hubs, stainless steel

Item description/product images



Description

Material:

Hub stainless steel.

Bellows stainless steel.

Version:

Bright.

Note:

Play-free mini metal bellows coupling with high torsional stiffness. The metal bellows compensates for axial, radial and angular shaft misalignment with low restoring forces. With clamping hubs for fastening to shafts.

They are primarily used when precise position and motion transmission is required, e.g. highly dynamic positioning and servo systems, rotary encoders, tachometers, potentiometers.

Temperature range:

-30 °C to +120 °C.

Assembly:

The metal bellows coupling hubs have an H7 tolerance. The recommended clearance tolerance is 0.02 - 0.05 mm. This tolerance and lubricating the shaft journals aid assembly and removal.

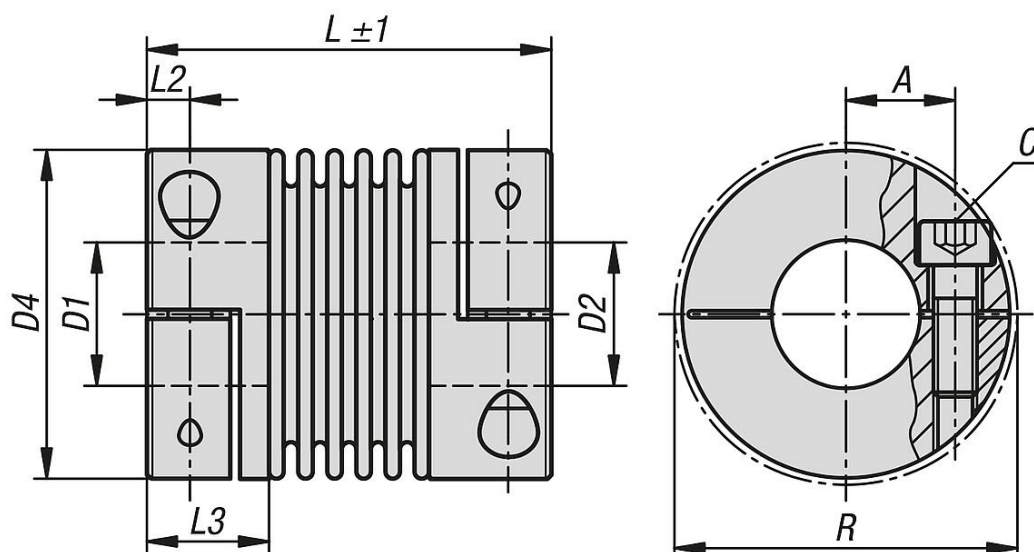
The metal bellows may be deformed max. 3 times over the permissible deflection values specified in the catalogue during assembly and removal. Avoid any use of force.

On request:

Desired hub holes D1 and D2 separately with tolerance class or tolerance zone.

Keyway acc. to DIN 6885. Please observe largest possible bore by keyway.

Drawings



Metal bellows couplings, mini with clamp hubs, stainless steel

Overview of items

Metal bellows couplings, mini with clamp hubs, stainless steel

Order No.	Size	Nominal torque Nm	Inertia (gcm ²)	Torsional stiffness Nm/rad	Spring stiffness radial (N/mm)	Spring stiffness axial N/mm
K1880.0050250303	5	0,5	6,2	200	18	10
K1880.0050250404	5	0,5	6,2	200	18	10
K1880.0050250505	5	0,5	6,2	200	18	10
K1880.0050250606	5	0,5	6,2	200	18	10
K1880.0100260303	10	1	7,5	380	31	20
K1880.0100260305	10	1	7,5	380	31	20
K1880.0100260505	10	1	7,5	380	31	20
K1880.0100260506	10	1	7,5	380	31	20
K1880.0100260606	10	1	7,5	380	31	20
K1880.0150260505	15	1,5	18	750	59	15
K1880.0150260506	15	1,5	18	750	59	15
K1880.0150260508	15	1,5	18	750	59	15
K1880.0150260606	15	1,5	18	750	59	15
K1880.0150260608	15	1,5	18	750	59	15
K1880.0150260808	15	1,5	18	750	59	15
K1880.0200380606	20	2	60	1300	21	11
K1880.0200380608	20	2	60	1300	21	11
K1880.0200380610	20	2	60	1300	21	11
K1880.0200380808	20	2	60	1300	21	11
K1880.0200380810	20	2	60	1300	21	11
K1880.0200381010	20	2	60	1300	21	11
K1880.0450411010	45	4,5	220	6500	168	32
K1880.0450411012	45	4,5	220	6500	168	32
K1880.0450411014	45	4,5	220	6500	168	32
K1880.0450411212	45	4,5	220	6500	168	32
K1880.0450411214	45	4,5	220	6500	168	32
K1880.0450411414	45	4,5	220	6500	168	32
K1880.1000471212	100	10	513	8100	120	27
K1880.1000471215	100	10	513	8100	120	27
K1880.1000471219	100	10	513	8100	120	27
K1880.1000471515	100	10	513	8100	120	27
K1880.1000471519	100	10	513	8100	120	27
K1880.1000471919	100	10	513	8100	120	27

Order No.	max. shaft offset radial (mm)	max. shaft offset axial (mm)	max. angular offset (°)	max. rpm	A	C (ISO 4029)	D1 (H7)	D2 (H7)
K1880.0050250303	0,15	0,3	1,5	15000	5,2	M2	3	3
K1880.0050250404	0,15	0,3	1,5	15000	5,2	M2	4	4
K1880.0050250505	0,15	0,3	1,5	15000	5,2	M2	5	5
K1880.0050250606	0,15	0,3	1,5	15000	5,2	M2	6	6
K1880.0100260303	0,15	0,3	1,5	15000	5,2	M2	3	3
K1880.0100260305	0,15	0,3	1,5	15000	5,2	M2	3	5
K1880.0100260505	0,15	0,3	1,5	15000	5,2	M2	5	5
K1880.0100260506	0,15	0,3	1,5	15000	5,2	M2	5	6
K1880.0100260606	0,15	0,3	1,5	15000	5,2	M2	6	6
K1880.0150260505	0,1	0,3	1,5	15000	7	M2,5	5	5
K1880.0150260506	0,1	0,3	1,5	15000	7	M2,5	5	6
K1880.0150260508	0,1	0,3	1,5	15000	7	M2,5	5	8
K1880.0150260606	0,1	0,3	1,5	15000	7	M2,5	6	6
K1880.0150260608	0,1	0,3	1,5	15000	7	M2,5	6	8
K1880.0150260808	0,1	0,3	1,5	15000	7	M2,5	8	8
K1880.0200380606	0,2	0,4	1,5	15000	9	M3	6	6
K1880.0200380608	0,2	0,4	1,5	15000	9	M3	6	8
K1880.0200380610	0,2	0,4	1,5	15000	9	M3	6	10
K1880.0200380808	0,2	0,4	1,5	15000	9	M3	8	8
K1880.0200380810	0,2	0,4	1,5	15000	9	M3	8	10
K1880.0200381010	0,2	0,4	1,5	15000	9	M3	10	10

Metal bellows couplings, mini with clamp hubs, stainless steel

Overview of items

Order No.	max. shaft offset radial (mm)	max. shaft offset axial (mm)	max. angular offset (°)	max. rpm	A	C (ISO 4029)	D1 (H7)	D2 (H7)
K1880.0450411010	0,1	0,3	1,5	15000	12	M4	10	10
K1880.0450411012	0,1	0,3	1,5	15000	12	M4	10	12
K1880.0450411014	0,1	0,3	1,5	15000	12	M4	10	14
K1880.0450411212	0,1	0,3	1,5	15000	12	M4	12	12
K1880.0450411214	0,1	0,3	1,5	15000	12	M4	12	14
K1880.0450411414	0,1	0,3	1,5	15000	12	M4	14	14
K1880.1000471212	0,15	0,4	1,5	15000	15,5	M4	12	12
K1880.1000471215	0,15	0,4	1,5	15000	15,5	M4	12	15
K1880.1000471219	0,15	0,4	1,5	15000	15,5	M4	12	19
K1880.1000471515	0,15	0,4	1,5	15000	15,5	M4	15	15
K1880.1000471519	0,15	0,4	1,5	15000	15,5	M4	15	19
K1880.1000471919	0,15	0,4	1,5	15000	15,5	M4	19	19

Order No.	D1/D2 min.	D1/D2 max.	D1/D2 max. by keyway	D4	L	L2	L3	R	Tightening torque of screws Nm
K1880.0050250303	3	8	8	15,5	25	2,5	7	17,5	0,43
K1880.0050250404	3	8	8	15,5	25	2,5	7	17,5	0,43
K1880.0050250505	3	8	8	15,5	25	2,5	7	17,5	0,43
K1880.0050250606	3	8	8	15,5	25	2,5	7	17,5	0,43
K1880.0100260303	3	8	8	15,5	26	2,5	7	17,5	0,43
K1880.0100260305	3	8	8	15,5	26	2,5	7	17,5	0,43
K1880.0100260505	3	8	8	15,5	26	2,5	7	17,5	0,43
K1880.0100260506	3	8	8	15,5	26	2,5	7	17,5	0,43
K1880.0100260606	3	8	8	15,5	26	2,5	7	17,5	0,43
K1880.0150260505	3	10	10	20	26	3	8,5	21	0,85
K1880.0150260506	3	10	10	20	26	3	8,5	21	0,85
K1880.0150260508	3	10	10	20	26	3	8,5	21	0,85
K1880.0150260606	3	10	10	20	26	3	8,5	21	0,85
K1880.0150260608	3	10	10	20	26	3	8,5	21	0,85
K1880.0200380606	3	14	14	25	38	3,5	11	27	2
K1880.0200380608	3	14	14	25	38	3,5	11	27	2
K1880.0200380610	3	14	14	25	38	3,5	11	27	2
K1880.0200380808	3	14	14	25	38	3,5	11	27	2
K1880.0200380810	3	14	14	25	38	3,5	11	27	2
K1880.0200381010	3	14	14	25	38	3,5	11	27	2
K1880.0450411010	6	18	18	32,5	41	5	13	34	3,5
K1880.0450411012	6	18	18	32,5	41	5	13	34	3,5
K1880.0450411014	6	18	18	32,5	41	5	13	34	3,5
K1880.0450411212	6	18	18	32,5	41	5	13	34	3,5
K1880.0450411214	6	18	18	32,5	41	5	13	34	3,5
K1880.0450411414	6	18	18	32,5	41	5	13	34	3,5
K1880.1000471212	6	25	25	40,5	47	5	13,5	41,5	4,5
K1880.1000471215	6	25	25	40,5	47	5	13,5	41,5	4,5
K1880.1000471219	6	25	25	40,5	47	5	13,5	41,5	4,5
K1880.1000471515	6	25	25	40,5	47	5	13,5	41,5	4,5
K1880.1000471519	6	25	25	40,5	47	5	13,5	41,5	4,5
K1880.1000471919	6	25	25	40,5	47	5	13,5	41,5	4,5