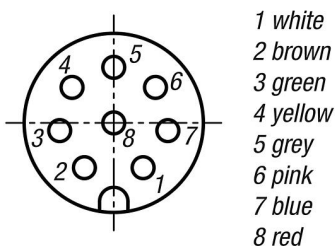
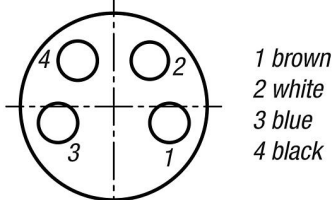
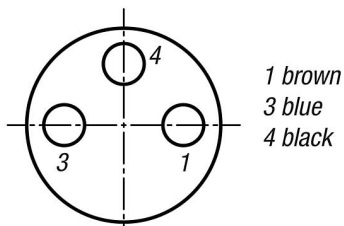


Connectors M8x1 bush with screw lock, unshielded

Item description/product images



for electrics



Description

Material:

Housing: plastic.
Cable: PUR (4 pole PVC).
Insulation braid: PP (4 pole PVC).
Contact: copper alloy.
Contact surface: Au (gold).
Lock: nickel plated die-cast zinc.

Version:

Bush (female).
Housing colour: black.
Cable colour: black.

Note:

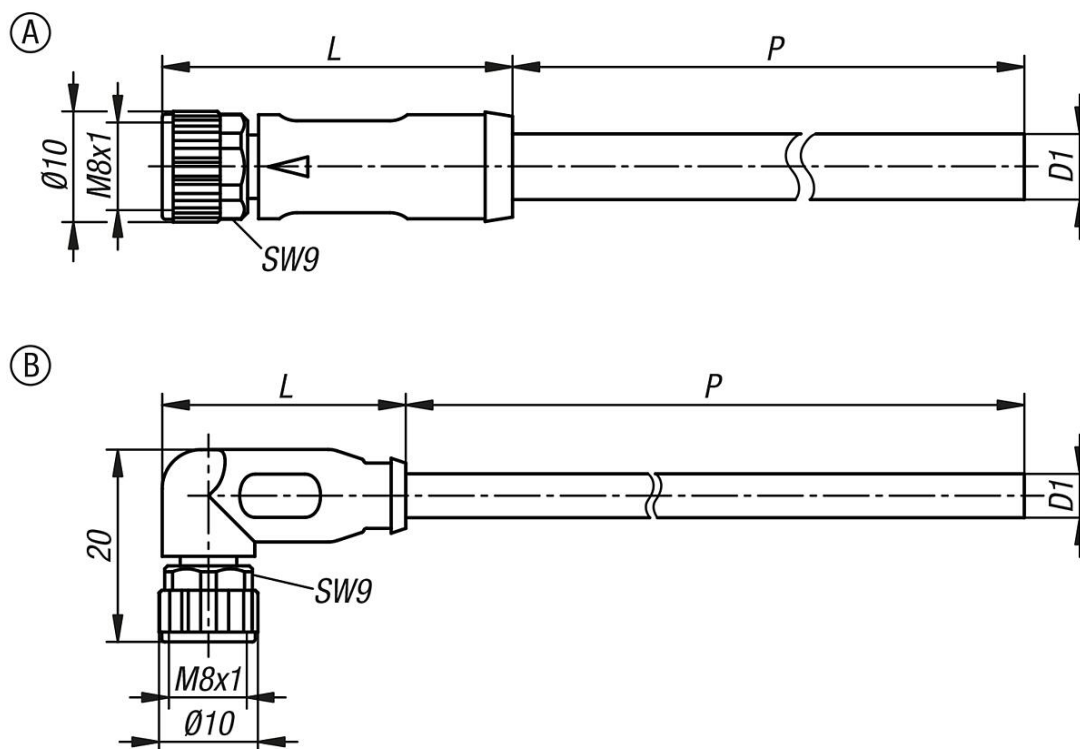
Connector with screw lock.
Connector moulded to cable.
Wire ID acc. to DIN 47100 colour code.
Coding A. Recommended tightening torque for the lock 0.4 Nm.
The connectors are designed for use in plant, control and electrical appliance construction.

Technical data:

No. of connection cycles: ≥ 100 .

Connectors M8x1 bush with screw lock, unshielded

Drawings



Overview of items

Connectors M8x1, bush with screw lock, unshielded

Order No.	Version 2	Form	Form definition	P	D1	L	No. of conductors x conductor cross-section	Safety rating	Operating voltage V	Rated surge voltage V
K1874.010X2000	3-pin	A	straight bush	2000	4,1	32	3 x 0,25 mm ²	IP65/IP67	50 AC / 60 DC	1500
K1874.010X5000	3-pin	A	straight bush	5000	4,1	32	3 x 0,25 mm ²	IP65/IP67	50 AC / 60 DC	1500
K1874.011X3000	4-pole	A	straight bush	3000	4,8	32	4 x 0,25 mm ²	IP65/IP67	50 AC / 60 DC	1500
K1874.011X5000	4-pole	A	straight bush	5000	4,8	32	4 x 0,25 mm ²	IP65/IP67	50 AC / 60 DC	1500
K1874.012X3000	8-pin	A	straight bush	3000	5,5	34	8 x 0,14 mm ²	IP65/IP67	30 AC / 30 DC	800
K1874.012X5000	8-pin	A	straight bush	5000	5,5	34	8 x 0,14 mm ²	IP65/IP67	30 AC / 30 DC	800
K1874.030X2000	3-pin	B	angled bush	2000	4,1	25	3 x 0,25 mm ²	IP65/IP67	50 AC / 60 DC	1500
K1874.030X5000	3-pin	B	angled bush	5000	4,1	25	3 x 0,25 mm ²	IP65/IP67	50 AC / 60 DC	1500
K1874.031X3000	4-pole	B	angled bush	3000	4,8	25	4 x 0,25 mm ²	IP65/IP67	50 AC / 60 DC	1500
K1874.031X5000	4-pole	B	angled bush	5000	4,8	25	4 x 0,25 mm ²	IP65/IP67	50 AC / 60 DC	1500
K1874.032X3000	8-pin	B	angled bush	3000	5,5	24	8 x 0,14 mm ²	IP65/IP67	30 AC / 30 DC	800
K1874.032X5000	8-pin	B	angled bush	5000	5,5	24	8 x 0,14 mm ²	IP65/IP67	30 AC / 30 DC	800

Order No.	Rated current (40 °C) A	Conductive resistance (20 °C) Ω/Km	Contamination level	Nominal voltage V	Test voltage V	Cable bend radius moving
K1874.010X2000	4	79	3	300 AC	2500 AC	≥ 10 x D1
K1874.010X5000	4	79	3	300 AC	2500 AC	≥ 10 x D1
K1874.011X3000	4	79	3	300 AC	2000 AC	≥ 10 x D1
K1874.011X5000	4	79	3	300 AC	2000 AC	≥ 10 x D1
K1874.012X3000	1,5	78	3	300 AC	3000 AC	≥ 10 x D1
K1874.012X5000	1,5	78	3	300 AC	3000 AC	≥ 10 x D1
K1874.030X2000	4	79	3	300 AC	2500 AC	≥ 10 x D1
K1874.030X5000	4	79	3	300 AC	2500 AC	≥ 10 x D1
K1874.031X3000	4	79	3	300 AC	2000 AC	≥ 10 x D1
K1874.031X5000	4	79	3	300 AC	2000 AC	≥ 10 x D1
K1874.032X3000	1,5	78	3	300 AC	3000 AC	≥ 10 x D1
K1874.032X5000	1,5	78	3	300 AC	3000 AC	≥ 10 x D1

Connectors M8x1 bush with screw lock, unshielded

Overview of items

Order No.	Cable bend radius fixed	Number of bend cycles max.	Temperature range cable moving	Temperature range cable fixed	EMC capability	Halogen-free
K1874.010X2000	≥ 5 x D1	10000000 (25 °C)	-25 °C - +80 °C	-40 °C - +80 °C	-	yes
K1874.010X5000	≥ 5 x D1	10000000 (25 °C)	-25 °C - +80 °C	-40 °C - +80 °C	-	yes
K1874.011X3000	≥ 5 x D1	2000000 (25 °C)	-5 °C - +80 °C	-30 °C - +80 °C	-	no
K1874.011X5000	≥ 5 x D1	2000000 (25 °C)	-5 °C - +80 °C	-30 °C - +80 °C	-	no
K1874.012X3000	≥ 6 x D1	2000000 (25 °C)	-15 °C - +80 °C	-30 °C - +80 °C	-	no
K1874.012X5000	≥ 6 x D1	2000000 (25 °C)	-15 °C - +80 °C	-30 °C - +80 °C	-	no
K1874.030X2000	≥ 5 x D1	10000000 (25 °C)	-25 °C - +80 °C	-40 °C - +80 °C	-	yes
K1874.030X5000	≥ 5 x D1	10000000 (25 °C)	-25 °C - +80 °C	-40 °C - +80 °C	-	yes
K1874.031X3000	≥ 5 x D1	2000000 (25 °C)	-5 °C - +80 °C	-30 °C - +80 °C	-	no
K1874.031X5000	≥ 5 x D1	2000000 (25 °C)	-5 °C - +80 °C	-30 °C - +80 °C	-	no
K1874.032X3000	≥ 6 x D1	2000000 (25 °C)	-15 °C - +80 °C	-30 °C - +80 °C	-	no
K1874.032X5000	≥ 6 x D1	2000000 (25 °C)	-15 °C - +80 °C	-30 °C - +80 °C	-	no