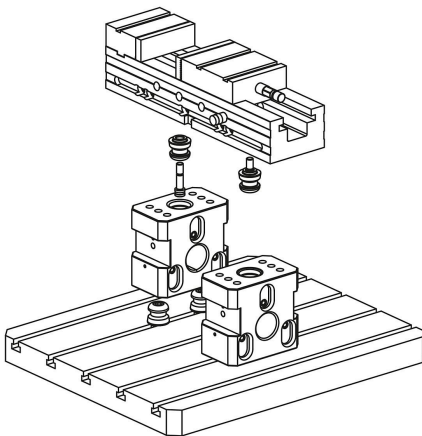
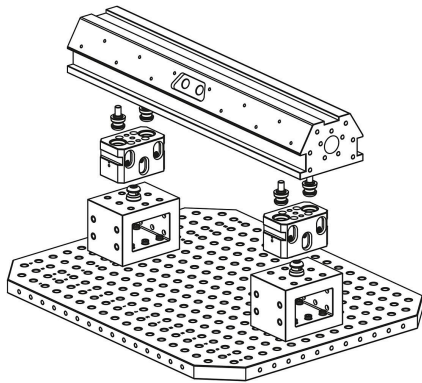
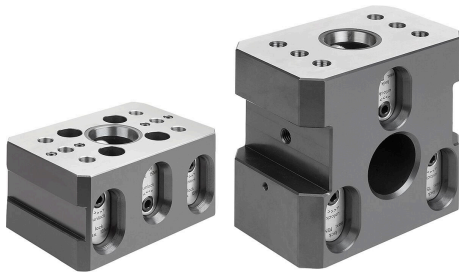


## UNILOCK 5-axis basic module DUO system size 80 mm

### Item description/product images



### Description

#### Material:

Carbon steel.

#### Version:

Main body oxidised.

Contact faces hardened and ground.

#### Note:

The UNILOCK 5-axis basic modules DUO with their three interfaces for clamping bolts are used for robust, elevated set-ups with heavy workpieces.

Compared to round basic modules, the larger sizes provide a larger contact surface. The DUO basic modules can be used with the double interface positioned downwards or upwards.

The through holes on both sides of Form A enable additional fastening with cap screws. The Form B version can also be fastened downwards via a clamping bolt on the double interface side.

Clamping claws can be used on the lateral clamping edge.

The reamed bores enable additional positioning.

For stable vice elevation, two UNILOCK 5-axis basic modules DUO are mounted on the machine table with the double interface facing downwards. The vices are attached to the upwards facing single interface.

The following clamping forces are possible with the UNILOCK clamping bolt in conjunction with M10, M12, M16 fastening screws:

- Clamping force (M10) 35,000 N

- Clamping force (M12) 50,000 N

- Clamping force (M16) 75,000 N

Clamping force with DIN EN ISO 4762 -12.9 cap screws

Clamping bolts may only be clamped in conjunction with a mounted interchangeable unit in the clamping module.

A consistent clamping bolt size by the 5-axis module clamping system 80 and compatibility to pneumatic zero-point clamping systems guarantee diverse application possibilities.

#### Technical data:

- Traction force 15 kN.

- Tightening torque 15 Nm.

- Repeat accuracy  $\leq 0.005$  mm.

#### Advantages:

- Robust basic module.

- Three interfaces for clamping bolts.

- Flexible fastening possibilities.

- Mechanical actuation.

- Positioning via short taper.

- High traction force.

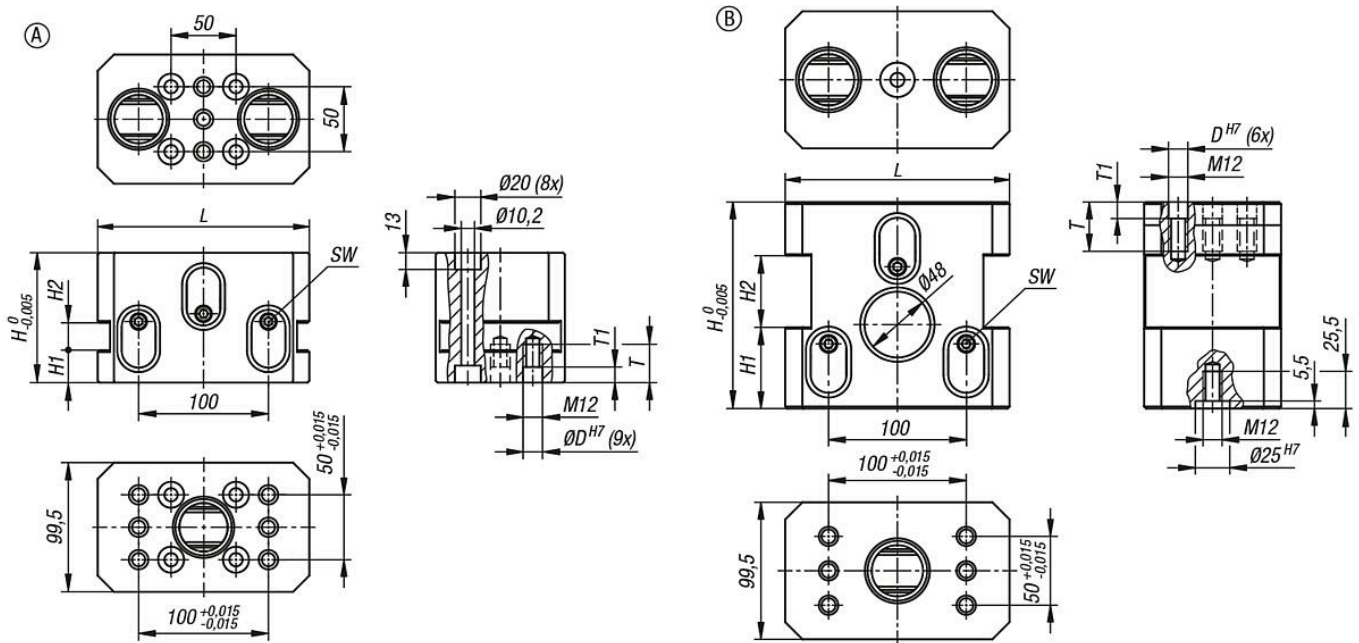
- Setup time optimisation.

#### Accessory:

Clamping bolts K0967, K0968, K0969, K1471.

UNILOCK 5-axis basic module DUO system size 80 mm

Drawings



Overview of items

UNILOCK 5-axis basic module DUO, system size 80 mm

Order No.	Form	L	H	D	H1	H2	SW	T	T1	Tightening torque max. Nm	Retraction force kN
K1867.12075500	A	149,5	75	12	25	25	6	16,5	5,5	15	15
K1867.12100500	A	162,5	100	12	25	21	6	30	12	15	15
K1867.12150500	B	162,5	150	12	59	52	6	35	12	15	15