

Clamping arm for compact hydraulic swing clamps

Item description/product images



Description

Product description:

Single clamping arm for compact swing clamps K1862. The fastening material is supplied with the compact swing clamps.

Material:

Steel.

Version:

Black oxidised.

Note:

Information on the clamping arm mountings as well as the effective clamping force depending on the operating pressure must be considered individually for each swing clamp.

The clamping force diagrams for the swing clamps are decisive for the dimensioning of the clamping arms.

The specified operating pressure must not be exceeded and must be adjusted if necessary.

The swivel movement of the clamping arms must not be hindered. The actual workpiece clamping process may only take place after the swing travel of the swing clamp is completed.

The thrust pieces should be so defined that contact with the workpiece only occurs after the swivel movement has been completed.

To prevent torques from being applied to the piston rod, the clamping arms must be held in place firmly during assembly.

Avoid encroachment in the swivel path. This could lead to pinching injury to the hands or other body parts.

Follow safety instructions.

Assembly:

When mounting or removing the clamping arms, make sure that no torques are transmitted to the piston rod of the swing clamp. This can be prevented by holding the arm in place when tightening or loosening the fastening screw.

1. If the swing clamp is equipped with an overload protection, the first step is to check it by turning the piston until the overload protection can be felt to engage. A swing clamp has three engagement points at 120° intervals.

2. The installation of the clamping arms is normally carried out when the clamp is not under pressure. After the clamping arm is positioned on the piston rod, the screw or nut can be tightened. However, if an exact clamping position of the clamping arm is required, the piston of the swing clamp must be retracted under pressure. The clamping arm can then be mounted in the desired position.

3. After attaching the clamping arm, the clamping process of the swing clamp should be checked several times for correct clamping point and clamping travel.

4. After changing the clamping arm, the torque of the fastening screw should be checked again after a few clamping cycles and, if necessary, retightened.

Clamping arm for compact hydraulic swing clamps

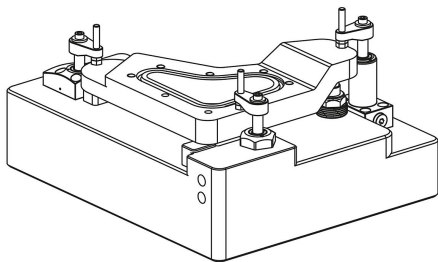
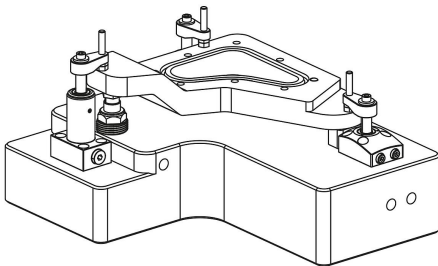
Item description/product images



On request:
Other sizes and types.

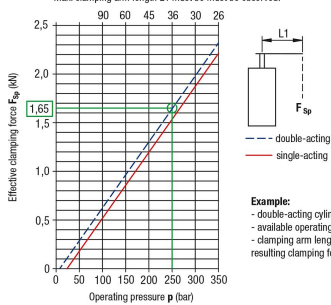
Accessory:

- Rest pads K0307.
- Self-aligning pads K0282, K0302, K1164, K0287, K0288.
- Gripper screws, hexagonal K0386.



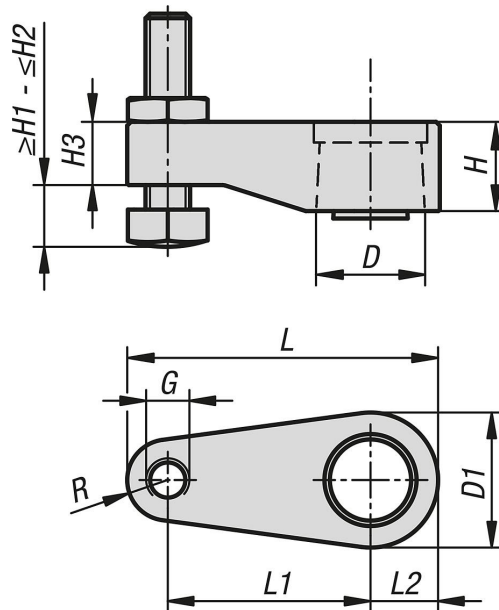
clamping force diagram

Max. clamping arm length L1 must be observed.



Clamping arm for compact hydraulic swing clamps

Drawings



Overview of items

Clamping arm for compact hydraulic swing clamps

Order No.	For piston Ø	D	D1	G	H	H1	H2	H3	L	L1	L2	L4	R
K1863.14262	14	10	10	M6	12	3,5	40	8	42	26	10	6	6