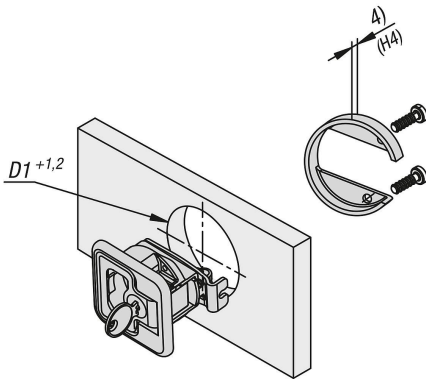


Snap locks stainless steel with Bowden cable connection and grip, fold-down

Item description/product images



Description

Material:

Stainless steel 1.4401.

Version:

Ground and polished or matt abrasive blasted.

Note:

With their countersunk grip, these snap locks are designed for flush installation in doors, hatches and covers.

They are used where inaccessible assembly spaces make it difficult to operate, or where remote actuation is required for ergonomic or safety reasons.

Available in two different sizes for different door leaf thicknesses. Additional security with lockable variants. The locks have a single key system, all locks can be opened with the same key.

The pre-tensioned grip prevents rattling.

The Bowden cable is not supplied.

Max. torque to tighten the screws: 2.4 Nm.

Form A: lockable

Form B: not lockable

Type of operation:

When the grip is actuated, hatches, lids, covers or doors are opened remotely and invisibly with a Bowden cable.

The lock can also be actuated from the rear.

Application:

- Automotive industries
- Machine construction
- Boat and ship building
- Aviation and aerospace
- Motorhomes and caravans
- Medical technology

Assembly:

1. Produce a mounting cutout as shown in the drawing.
2. Secure from the rear using the mounting parts supplied.
3. Connect the Bowden cable.

Advantages:

Actuation possible in inaccessible assembly spaces.

Ergonomically optimised actuating position possible.

Actuation possible even when safety distances are required.

Supplied with:

Mounting bracket with M4 screws and Bowden cable holder are supplied.

The lockable snap locks are each supplied with 2 keys.

Accessory:

Bowden cable K1646.

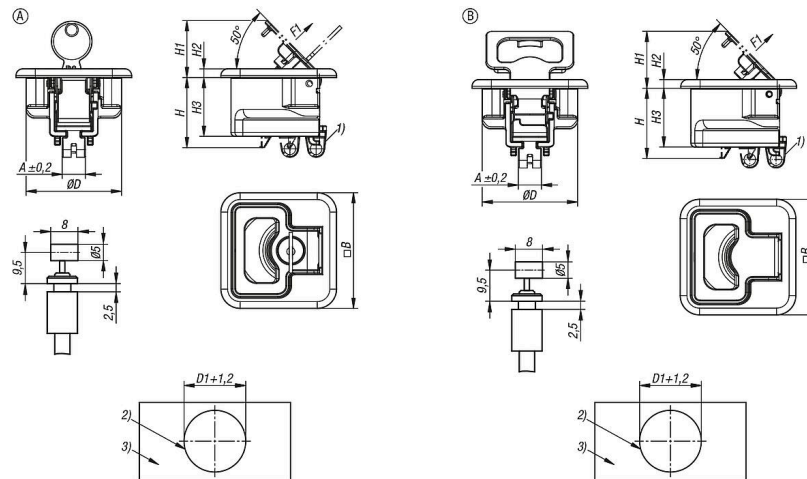
Drawing reference:

Snap locks stainless steel with Bowden cable connection and grip, fold-down

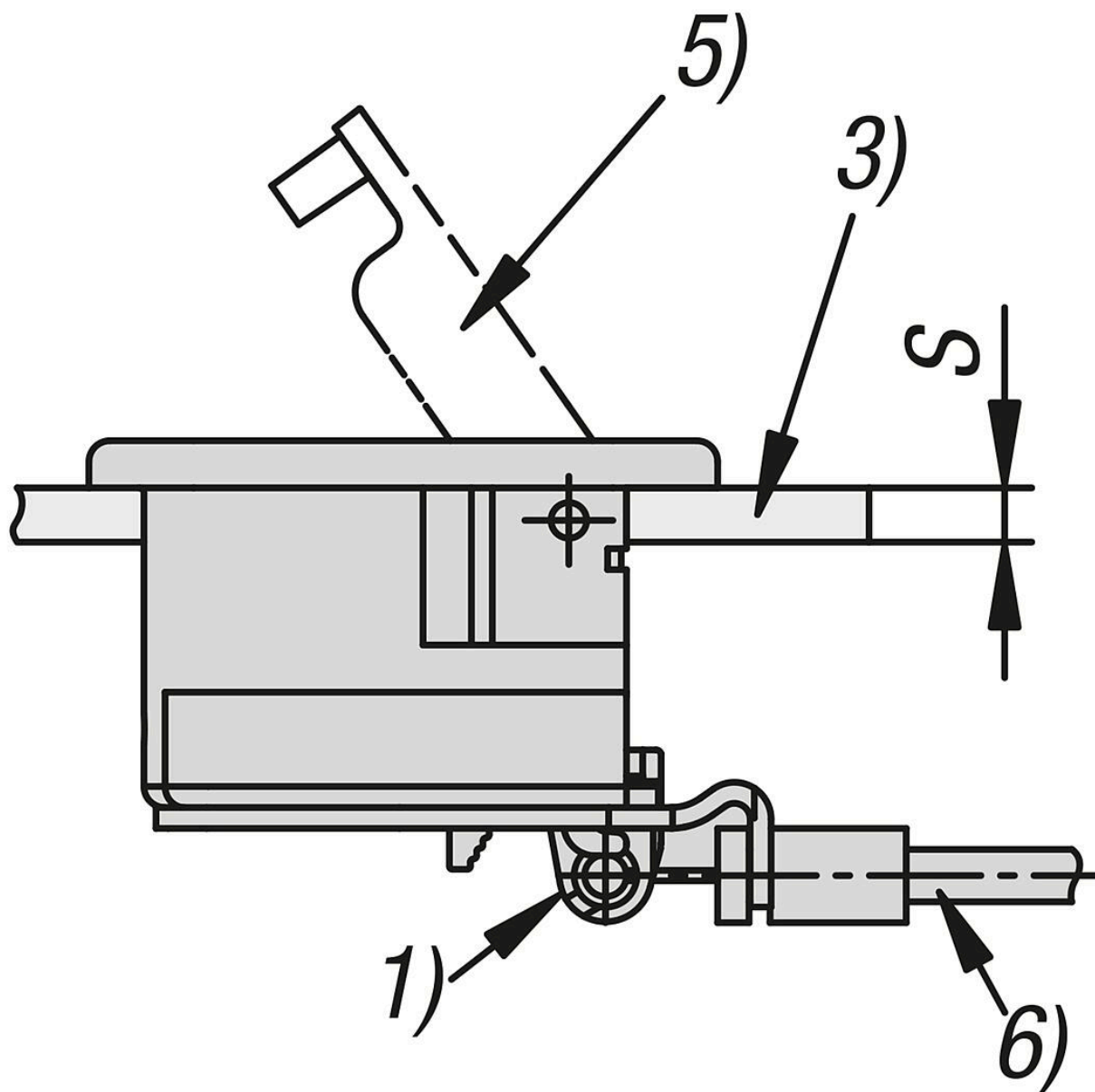
Item description/product images

- 1) Bowden cable connection
- 2) Mounting cutout
- 3) Door leaf
- 4) Mounting bracket thickness (see H4 in table)
- 5) Grip
- 6) Bowden cable

Drawings



Snap locks stainless steel with Bowden cable connection and grip, fold-down
 Drawings



Overview of items

Snap locks stainless steel with Bowden cable connection and grip, fold-down

Order No.	Form	Form definition	Surface finish body	A	B	D	D1	H	H1	H2	H3	H4	Traction force F1 N	Temperature range °C	S = Door thickness in mm	Screws
K1851.1102356044	A	lockable	polished	10 60	49,5	50	35,9	26,6	4,5	30,5	23	100	-	2-12	M4x6	
K1851.1112356044	A	lockable	polished	10 60	49,5	50	35,9	26,6	4,5	30,5	12,5	100	-	12-22	M4x20	
K1851.1102356055	A	lockable	matt blasted	10 60	49,5	50	35,9	26,6	4,5	30,5	23	100	-	2-12	M4x6	
K1851.1112356055	A	lockable	matt blasted	10 60	49,5	50	35,9	26,6	4,5	30,5	12,5	100	-	12-22	M4x20	
K1851.1002356044	B	not lockable	polished	10 60	49,5	50	35,9	26,6	4,5	30,5	23	100	-	2-12	M4x6	
K1851.1012356044	B	not lockable	polished	10 60	49,5	50	35,9	26,6	4,5	30,5	12,5	100	-	12-22	M4x20	

Snap locks stainless steel with Bowden cable connection and grip, fold-down

Overview of items

Order No.	Form	Form definition	Surface finish body	A	B	D	D1	H	H1	H2	H3	H4	Traction force F1 N	Temperature range °C	S = Door thickness in mm	Screws
K1851.1002356055	B	not lockable	matt blasted	10	60	49,5	50	35,9	26,6	4,5	30,5	23	100	-	2-12	M4x6
K1851.1012356055	B	not lockable	matt blasted	10	60	49,5	50	35,9	26,6	4,5	30,5	12,5	100	-	12-22	M4x20