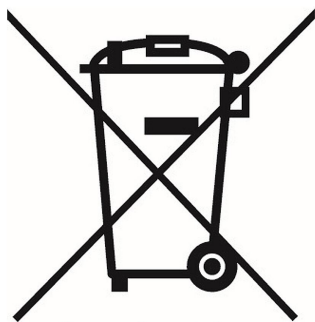
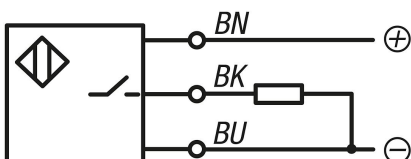


Locating bushes, stainless steel with status sensor, for ball lock pins with twist knob

Item description/product images



for electrics



Description

Product description:

Locating bushes form a locating point for ball lock pins with twist knobs and enable these to be securely and precisely engaged herein.

The locating bushes with status sensor have a variably adjustable sensor integrated in the bush. These enable electronic feedback as to whether a ball lock pin with twist knob is locked or not.

When using several bushes, it can be determined in which one a ball lock pin is located.

Material:

Locating bush steel or stainless steel 1.4305.

Sensor stainless steel.

Locknut brass.

Version:

Locating bush and sensor bright.

Locknut nickel-plated.

Note:

The status sensor and locknut are supplied loose.

Max. tightening torque for the locknut: 1.2 Nm.

Technical data:

Inductive sensor:

Output circuit: PNP NO

Operating voltage: 10 - 30 V DC

Operating current: <100 mA

Contact gap: 1 mm

Switch frequency: <3500 Hz

Short-circuit proof: yes

Reverse polarity protection: yes

Rating: IP 67

Connection type: 2 m PVC cable

Temperature range: -25 °C - +70 °C

Approvals: CE, c UL us, EAC

Application:

Locating bushes in conjunction with a status sensor enable actuation-dependent process control. In addition, it can be determined whether a ball lock pin or locking pin is in the desired position.

Assembly:

The sensor is fastened into the bush using the locknut and then adjusted axially. The locknut is tightened to fixate the sensor in the final position.

The detailed procedure is described in the installation instructions.

Accessory:

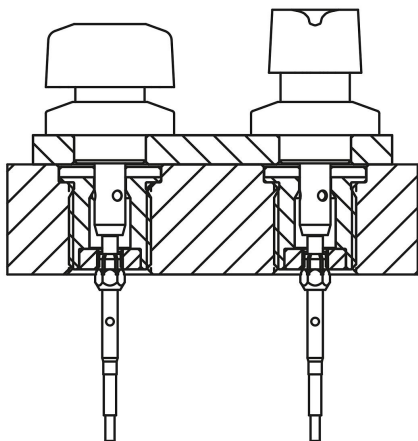
Ball lock pins with twist knob K1064

Safety:

Locating bushes with status sensor are not suitable for personnel safety functions.

Locating bushes, stainless steel with status sensor, for ball lock pins with twist knob

Item description/product images



Drawing reference:

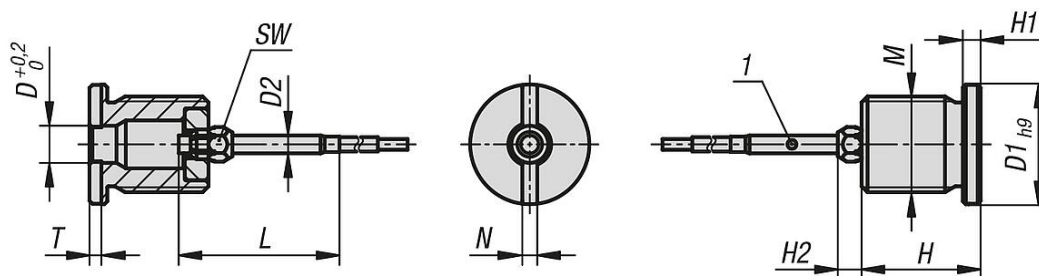
1) LED

BN = brown

BK = black

BU = blue

Drawings



Overview of items

Locating bushes, stainless steel with status sensor

Order No.	Form	Form definition	D	D1	D2	M	H	H1	H2	L	N	T	SW
K1843.12061611	B	with thread and collar for BLP with twist knob	6,2	20	3	M16x1,5	20	3	4	27	2,5	2	5
K1843.12102011	B	with thread and collar for BLP with twist knob	10,2	25	3	M20x1,5	23	3	4	27	2,5	2	5