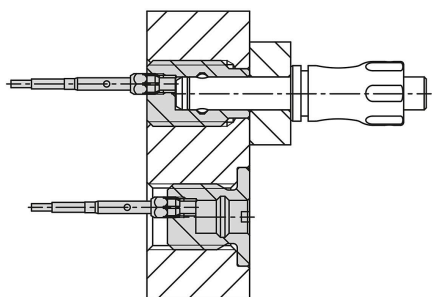
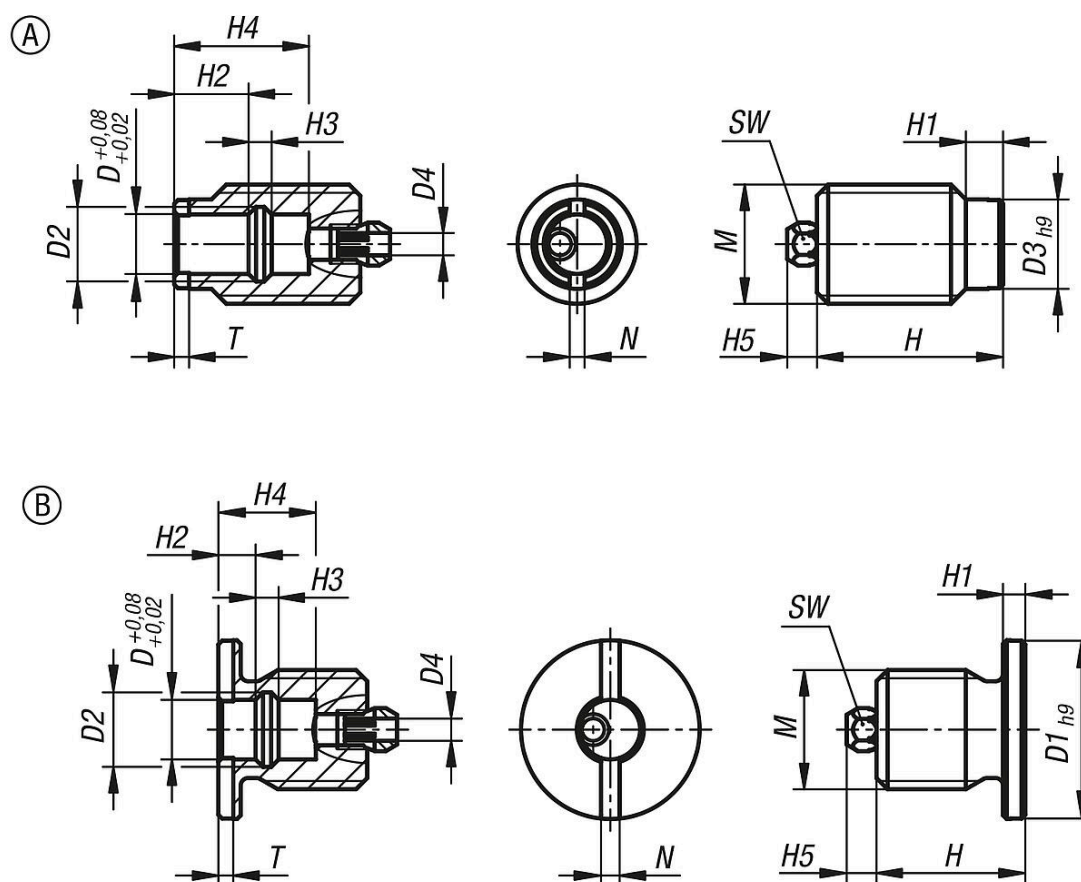


Locating bushes, stainless steel for status sensor

Item description/product images



Drawings



Overview of items

Locating bushes, stainless steel for status sensor

Order No.	Form	Form definition	D	D1	D2	D3	D4	H	H1	H2	H3	H4	H5	M	N	T	SW
K1842.1105120	A	Full thread	5	-	6	9	3	25	4	10	1,5	16,2	4	M12	1,5	1,5	5
K1842.1106160	A	Full thread	6	-	7,5	12	3	25	5	10	2	17,1	4	M16	2	2	5
K1842.1108160	A	Full thread	8	-	10	12	3	25	5	10	3,1	18,1	4	M16	2	2	5
K1842.1110240	A	Full thread	10	-	13	18	3	30	6	8	4	17,2	4	M24	2,5	3	5
K1842.1112240	A	Full thread	12	-	15	18	3	30	6	8	4,8	18,2	4	M24	2,5	3	5
K1842.1116300	A	Full thread	16	-	20	24	3	35	8	11	6	24,2	4	M30	2,5	3	5
K1842.1205120	B	with thread and collar	5	20	6	-	3	20	3	5	1,5	11,2	4	M12	2	2	5
K1842.1206160	B	with thread and collar	6	24	7,5	-	3	20	3	5	2	12,1	4	M16	2,5	2	5

Locating bushes, stainless steel for status sensor

Overview of items

Order No.	Form	Form definition	D	D1	D2	D3	D4	H	H1	H2	H3	H4	H5	M	N	T	SW
K1842.1208160	B	with thread and collar	8	24	10	-	3	20	3	5	3,1	13,1	4	M16	2,5	2	5
K1842.1210240	B	with thread and collar	10	34	13	-	3	25	5	10	4	19,2	4	M24	2,5	3	5
K1842.1212240	B	with thread and collar	12	34	15	-	3	25	5	10	4,8	20,2	4	M24	2,5	3	5
K1842.1216300	B	with thread and collar	16	40	20	-	3	30	5	10	6	23,2	4	M30	2,5	3	5