

## Locating bushes, stainless steel with status sensor

### Item description/product images



### Description

#### Product description:

Locating bushes form a locating point for ball lock pins or locking pins and enable these to be securely and precisely engaged herein.

The locating bushes with status sensor have a variably adjustable sensor integrated in the bush. These enable electronic feedback as to whether a pin is located in the locating bush or not.

When using several bushes, it can be determined in which one a ball lock pin or locking pin is located.

#### Material:

Locating bush steel or stainless steel 1.4305.

Sensor stainless steel.

Locknut brass.

#### Version:

Locating bush and sensor bright.

Locknut nickel-plated.

#### Note:

The status sensor and locknut are supplied loose.

Max. tightening torque for the locknut: 1.2 Nm.

#### Technical data:

Inductive sensor:

Output circuit: PNP NO

Operating voltage: 10 - 30 V DC

Operating current: <100 mA

Contact gap: 1 mm

Switch frequency: <3500 Hz

Short-circuit proof: yes

Reverse polarity protection: yes

Rating: IP 67

Connection type: 2 m PVC cable

Temperature range: -25 °C - +70 °C

Approvals: CE, c UL us, EAC

#### Application:

Locating bushes in conjunction with a status sensor enable actuation-dependent process control. In addition, it can be determined whether a ball lock pin or locking pin is in the desired position.

#### Assembly:

The sensor is fastened into the bush using the locknut and then adjusted axially. The locknut is tightened to fixate the sensor in the final position.

The detailed procedure is described in the installation instructions.

#### Safety:

Locating bushes with status sensor are not suitable for personnel safety functions.

#### Drawing reference:

Form A: full thread

# Locating bushes, stainless steel with status sensor

## Item description/product images



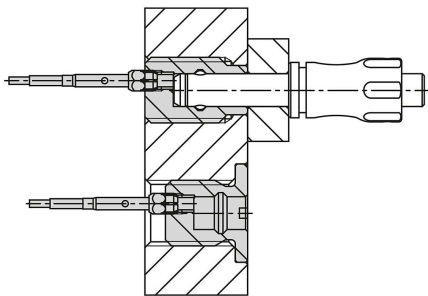
Form B: with thread and collar

1) LED

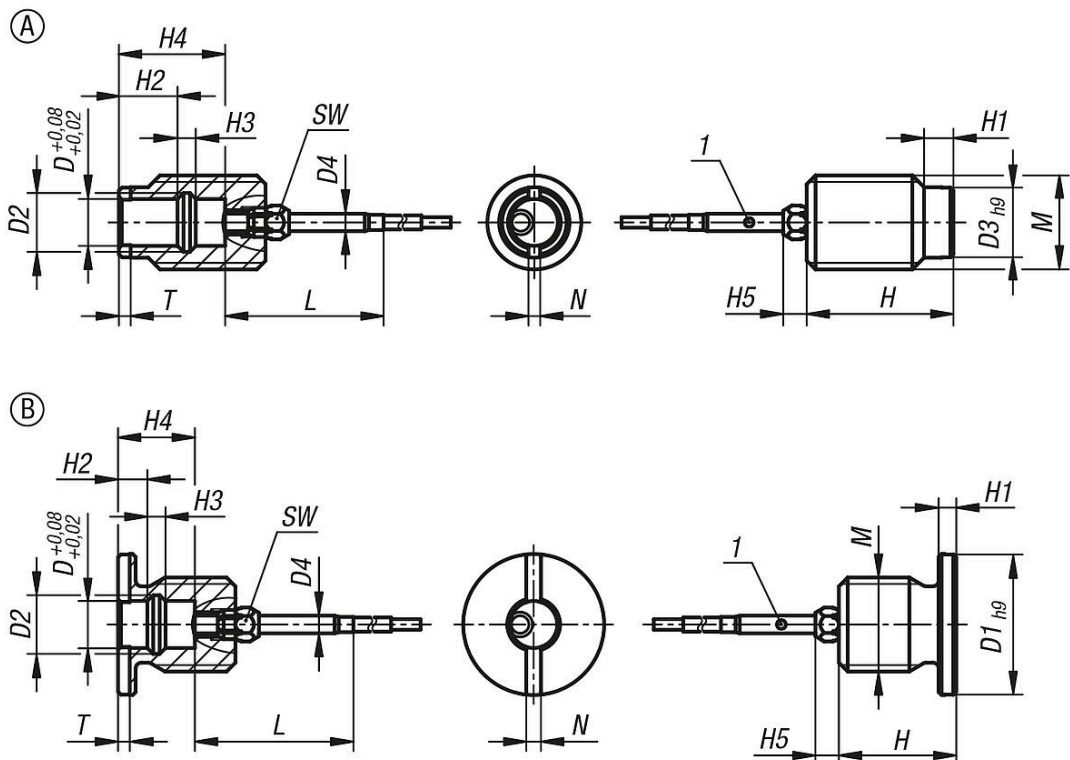
BN = brown  
BK = black  
BU = blue



for electrics

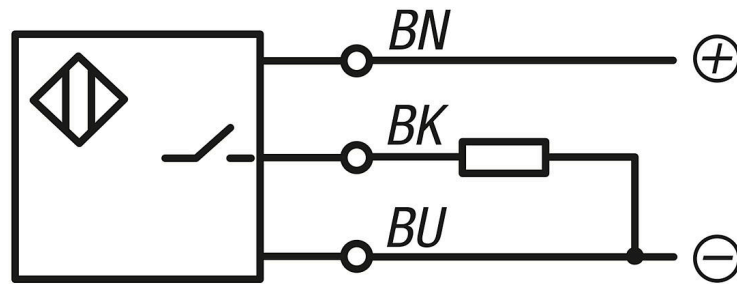


## Drawings



## Locating bushes, stainless steel with status sensor

### Drawings



### Overview of items

#### Locating bushes, stainless steel with status sensor

Order No.	Form	Form definition	D	D1	D2	D3	D4	H	H1	H2	H3	H4	H5	L	M	N	T	SW
K1841.11051201	A	Full thread	5	-	6	9	3	25	4	10	1,5	16,2	4	27	M12	1,5	1,5	5
K1841.11061601	A	Full thread	6	-	7,5	12	3	25	5	10	2	17,1	4	27	M16	2	2	5
K1841.11081601	A	Full thread	8	-	10	12	3	25	5	10	3,1	18,1	4	27	M16	2	2	5
K1841.11102401	A	Full thread	10	-	13	18	3	30	6	8	4	17,2	4	27	M24	2,5	3	5
K1841.11122401	A	Full thread	12	-	15	18	3	30	6	8	4,8	18,2	4	27	M24	2,5	3	5
K1841.11163001	A	Full thread	16	-	20	24	3	35	8	11	6	24,2	4	27	M30	2,5	3	5
K1841.12051201	B	with thread and collar	5	20	6	-	3	20	3	5	1,5	11,2	4	27	M12	2	2	5
K1841.12061601	B	with thread and collar	6	24	7,5	-	3	20	3	5	2	12,1	4	27	M16	2,5	2	5
K1841.12081601	B	with thread and collar	8	24	10	-	3	20	3	5	3,1	13,1	4	27	M16	2,5	2	5
K1841.12102401	B	with thread and collar	10	34	13	-	3	25	5	10	4	19,2	4	27	M24	2,5	3	5
K1841.12122401	B	with thread and collar	12	34	15	-	3	25	5	10	4,8	20,2	4	27	M24	2,5	3	5
K1841.12163001	B	with thread and collar	16	40	20	-	3	30	5	10	6	23,2	4	27	M30	2,5	3	5