

Universal transmitter for Smart Products

Item description/product images



[Link to App \(Android\)](#)



[Link to App \(Apple\)](#)

Description

Product description:

Smart products offer the added value of obtaining electronic feedback about the actuated status of various clamping and support elements.

The Bluetooth module is used for universal status display and signal transmission. It is connected to the respective smart product via a USB-C plug. The integrated LED display visualises the status of the inserted clamping or support element.

The actuation status is transferred wirelessly via Bluetooth to a mobile terminal or the Gateway K1494.

The combination of smart product with Bluetooth module and gateway enables the signal to be processed in e.g. a machine control system.

Material:

Housing thermoplastic PA6.

Plug seal elastomer NBR.

Version:

Black thermoplastic.

Note:

Smart Products.

Gateway K1494.

Technical data:

See Downloads, Technical Information.

Application:

The combination of universal transmitter and Smart Products provides a visual, intuitive and quick display of the sensor status.

The sensor status can be transmitted wirelessly via Bluetooth.

Temperature range:

0 °C to +65 °C.

Accessory:

Force sensor for toggle clamps K1825.

Clamp straps for force sensor K1824.

Rest pads with contact sensor K1832.

Gateway K1494.

Safety:

Bluetooth modules are not suitable for the protection of personnel.

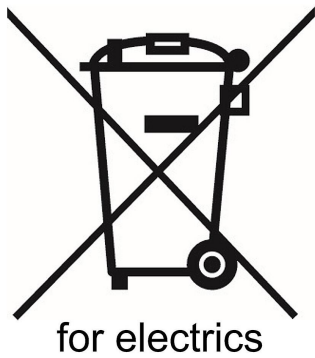
Warning: the Bluetooth module must be charged using the appropriate cable supplied. Do not use a quick charger.

Drawing reference:

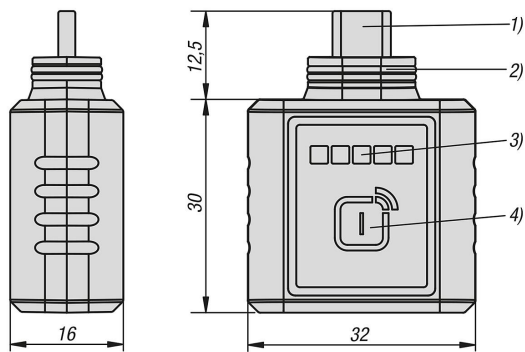
- 1) USB type C plug
- 2) Seal
- 3) LED indicator
- 4) Buttons

Universal transmitter for Smart Products

Item description/product images



Drawings



Overview of items

Universal transmitter for Smart Products

Order No.	Item
K1831.01	Universal transmitter