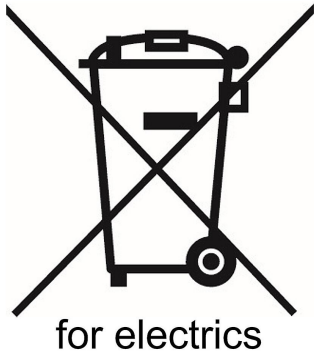


Force sensor for toggle clamps

Item description/product images



Description

Product description:

Smart products offer the added value of obtaining electronic feedback about the actuated status of various clamping and support elements.

The force sensor for toggle clamps enables the force with which a workpiece is clamped to be compared with a previously defined set value. How to set the setpoint is described in the operating instructions.

It is mounted between a mechanical toggle clamp and the clamping fixture.

If the force sensor is connected to the Bluetooth module K1831 via the integrated USB Type-C socket, it transmits the sensor status wirelessly. The signal can then be received and processed by e.g. a Gateway K1494.

In addition, the integrated LED display of the Bluetooth module indicates the status of the clamping element.

The power supply for the force sensor is provided by the Universal transmitter, which can be replaced if necessary without reconfiguration.

Material:

Force sensor aluminium EN AW-6082
Plug housing steel.

Version:

Force sensor black anodised.
Plug housing black oxidised.

Note:

The force sensor enables the force with which a workpiece is clamped to be compared with a previously defined set value. The operating instructions describe how to adjust the setpoint. If the force sensor is equipped with an universal transmitter, the force can be recorded and processed electronically. The power supply for the force sensor is provided by the universal transmitter, which can be replaced if necessary without reconfiguration. The Universal transmitter K1831 can be connected to the force sensor via USB Type C.

Technical data:

See Downloads, Technical Information.

Application:

The force sensor can be used to compare the clamping force of a mechanical toggle clamp with a set value.

The operator can easily monitor when the clamping force has been applied using the LED display on the Bluetooth module.

Temperature range:

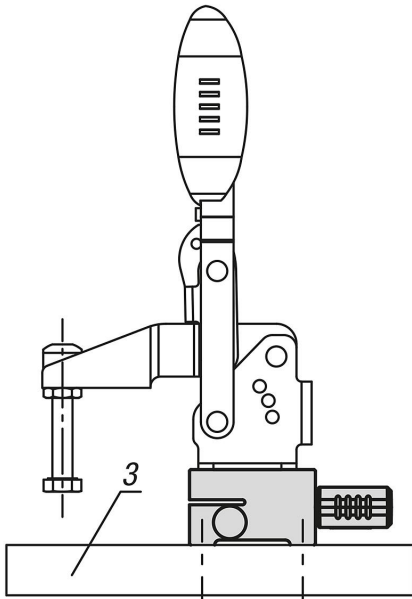
0 °C to +65 °C.

Assembly:

The force sensor is attached to the assembly table using ISO 4762 / DIN 912 cap screws through hole D1. Only then can the toggle clamp be attached to the force sensor using screws through the holes D2.

Force sensor for toggle clamps

Item description/product images



Accessory:

Universal transmitter K1831.
Gateway K1494.

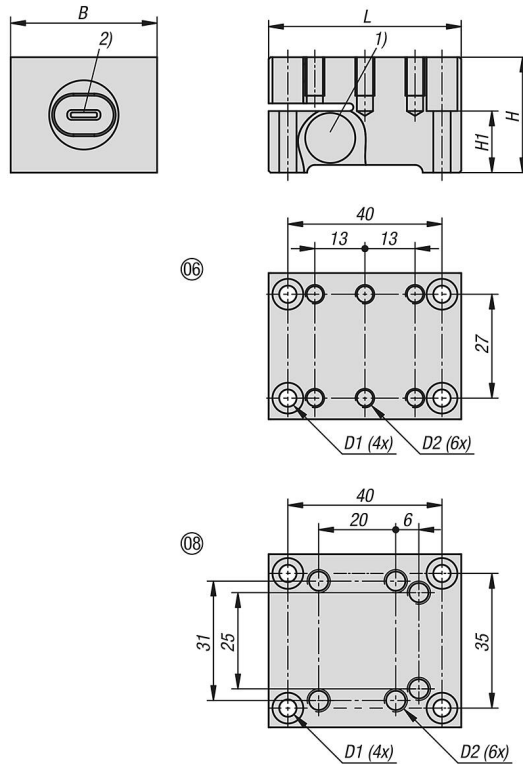
Safety:

Force sensors are not suitable for the protection of personnel.

Drawing reference:

- 1) Force sensor
- 2) USB type C socket
- 3) Clamping fixture

Drawings



Overview of items

Force sensor for toggle clamps

Force sensor for toggle clamps

Overview of items

Order No.	Size	B	D1 for screw to DIN 912	D2	H	H1	L
K1825.06	6	38	M4	M5	30	16	50
K1825.08	8	45	M4	M6	30	16	50