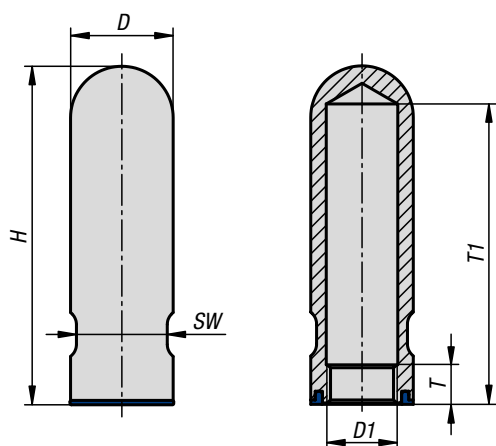


## Thread cover, stainless steel

in Hygienic DESIGN



**Material:**

Sleeve stainless steel 1.4301.  
Rubber seal silicon, FDA certified.

**Version:**

Sleeve high-gloss polished.  
Rubber seal, blue.

**Sample order:**

K1821.1116112

**Note:**

Certified according to 3-A Sanitary Standard.  
The thread cover caps protruding male threads and thus protects them from dirt.  
The high surface finish quality prevents dirt from adhering and reduces cleaning times to a minimum.

**Application:**

The thread cover is particularly suitable for machines, plants and appliances in the foodstuff, brewery, dairy, beverage and pharmaceutical industries.

**Accessories:**

Levelling feet K1303.



### KIPP Thread cover, stainless steel, in Hygienic DESIGN

Order No.	D	D1	H	T	T1	SW
K1821.1112112	24	M12	112	12	102	20
K1821.1116112	24	M16	112	12	102	20
K1821.1120115	30	M20	115	12	102	26
K1821.1124115	35	M24	115	12	102	30